

A1IPMW & A1IPMB

Quick Start Guide

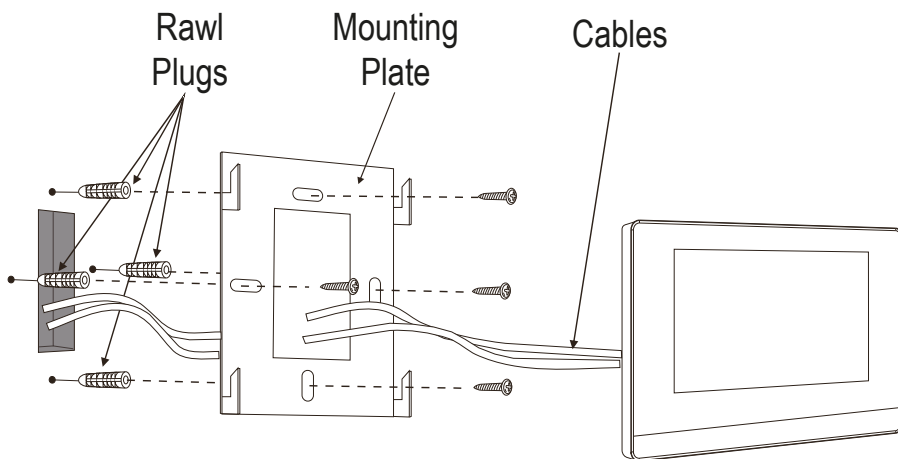
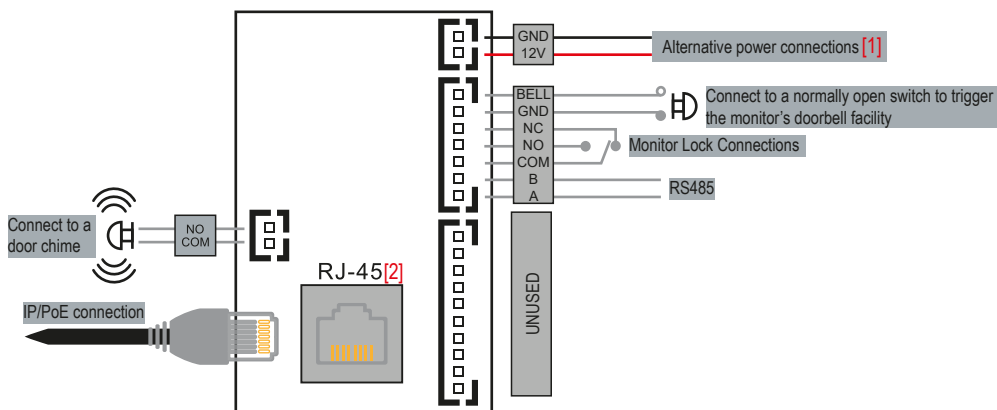
Aperta IP PoE Monitor with App



The latest product manuals and software is available online:
https://www.espuk.com/technical_support



1. Installation



Connect the Monitor to a switch/network or alternatively directly to a Door Station using the RJ45 port [1].

If the connected network does not support PoE, then DC12V1A needs to be applied to the 12V & GND terminals [2].

*All system cabling has been tested with Cat5E UTP PVC Cable.

**Maximum distance of 100m to PoE switch is supported.

2. Monitor Installation Mode Configuration

The A1IPMW and A1IPMB can be used on both Villa and Apartment systems, but they require to be configured into the correct "Build" mode.

Ensure the monitor has been powered up, using either the DC12V input [1] or PoE Input [2].

Once the monitor has fully initialised click on "System Settings", and then enter the code "31415" and press "OK".

- Select "Villa" for Single Way Systems
- Select "Build" for Multi Way Systems.

Then adjust the Device type using the onscreen arrows, and then press "OK".

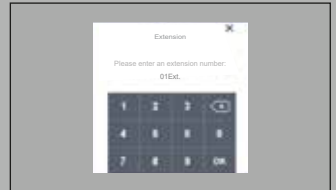
3. Villa Monitor Installation

- if a monitor is being used with Villa Outdoor Station that is at factory default, then the Monitor will not need configuring, and will operate once fully initialised.
- If the monitor is to be used with a configured Villa Outdoor Station, then do the following:
 1. Once the monitor has fully initialised; Click on "System Settings", and then enter the code "666666" and press "OK".
 2. Then select "Extension", and then enter the Rooms Extension [01~03]

Note:

Ensure there is always a monitor with the Extension "01" on the system.
Ensure Section 2 has been completed, to ensure the monitor is set to the Villa Mode.

*A Maximum of 6 monitors on a single system is recommended.
If more are required, please contact ESP Technical for further information.*



4. Multi Monitor Installation

Once the monitor has fully initialised and section 2 has been completed; click on "System Settings", and then enter the code "666666" and press "OK".

Then select "Extension", and then enter the Rooms Extension.

EX. **1st Building**, **Room 0005**, **Extension 1**
01Bd.0005Room01Ext.

Note:

Ensure there is always a monitor with the Extension "01" on the system.

*A Maximum of 200 addresses on a single system is recommended.
If more are required, please contact ESP Technical for further information.*



5. Single Device Installation

1. Ensure both the Door Station & Compatible monitor are connected VIA a PoE Switch or Directly connected VIA an Ethernet cable.
2. **Factory reset both Door Station & Monitor:**
 - A. **Door Station Reset** - Press call button for 60 Seconds, when a ringtone plays it has successfully reset.
 - B. **Monitor Reset** - Go to "System Settings" type in "666666" & "OK", click on "System Reset", the monitor will then restart.
3. After both devices have restarted the 2 devices will now be connected to each other.

6. Multi Device Installation

1. Ensure only the first Door Station & Compatible monitor are connected VIA a PoE Switch or Directly connected VIA Ethernet cable.
2. **Factory reset both Door Station & Monitor**
 - A. **Door Station Reset** - Press call button for 60 Seconds, when a ringtone plays it has successfully reset.
 - B. **Monitor Reset** - Go to "System Settings" type in "666666" & "OK", click on "System Reset", the monitor will then restart.

Note: If a device has not been configured it does not need to be reset

3. After both devices have restarted the 2 devices will now be connected to each other.
4. Ensure the master monitor is set to Villa; please refer to step in the A1IPMW/B Quick Start Guide.
5. **Programming the first Door Station:**

On the monitor go to "System Settings", type in "666666" & "OK", and click on "Door".
Once on the "Door" page, at the top select "Villa", type in 01 for the Ext. Field, and complete the rest of the fields to your requirements, and finally press "OK".
6. **Programming an additional Door Station:**

Connect the next Villa Door Station, and then on the monitor go to "System Settings", type in "666666" & "OK", and click on "Door".
Once on the "Door" page, at the top select "Villa", type in the next available address for the Ext. Field, and complete the rest of the fields to your requirements, and finally press "OK".
7. **Add the Master monitor:**

Once all Outdoor Stations have been configured, on the monitor that will serve as the master monitor, go to "System Settings", type in "666666" and the press "OK".
Click on "Extension", and change the extension to 01, and press "OK".
8. **Adding multiple monitors:**

On the additional monitor(s) go to "System Settings", type in "666666" and the press "OK".
Click on "Extension", and change the extension to a number between 02~03, and press "OK".

Note:

Do not use an extension number that has already been used, and ensure that there is always monitor that has the extension 01.
A Maximum of 2 Outdoor Stations on a single system is recommended. If more are required, please contact ESP Technical for further information

7. Public PIN Code

1. Entering administration mode:

When in standby, press [*** + Admin Passcode + #**], if the doorbell bleeps twice, and the call button is slowly flashing, you have successfully entered administration mode.

2. Setting the Public Unlock PIN:

Once in Administration Mode press;

[**0 + 11+ # + New PIN + # + New PIN + #**].

If the Door Station bleeps twice the PIN has been set successfully.

3. To Exit press ***** or wait 30 seconds until the Door Station bleeps 3 times.

4. Using the Public Unlock PIN:

When in standby enter the New Public Unlock PIN set in step 3, and press "**#**". The Door Station will announce "The door is open, please come in", if the incorrect PIN is entered it will bleep 4 times.

Note:

Default Admin Passcode is 666666.

Public PIN code must be 6 digits

8. User Cards / Fobs

Add User Cards / Fobs

1. In standby mode, swipe the "Add Fob" 3 times within 15 seconds.

The call button will rapidly flash to indicate it is in the **add card mode**.

2. Swipe the unregistered fob on the RFID read area, if the Door Station bleeps twice, this means that fob has been added successfully.

3. Once all cards have been added, finally swipe the add fob a final time to exit the **add fob mode**.

Delete User Cards / Fobs

1. In standby mode, swipe the Delete fob" 3 times within 15 seconds.

The call button will rapidly flash to indicate it is in the **delete fob mode**.

2. Swipe the registered fob in the RFID read area, if the Door Station bleeps twice, this means that the fob has been deleted successfully.

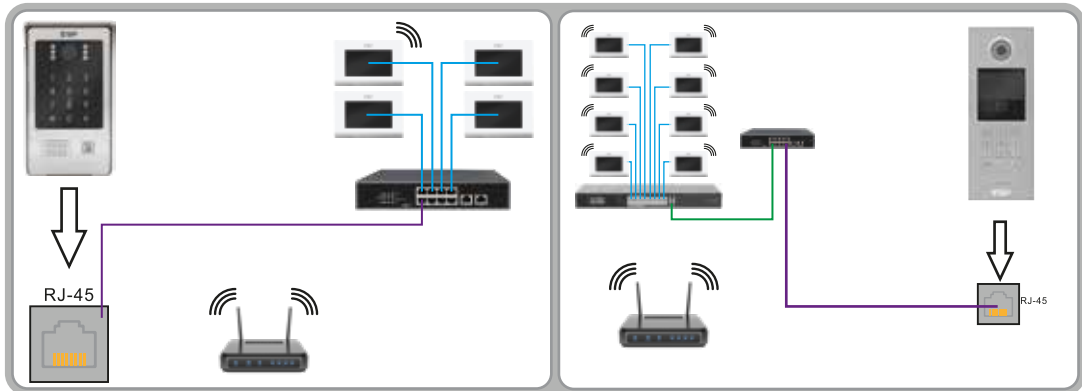
3. Once all cards have been added, finally swipe the delete fob a final time to exit the **delete fob mode**.

Note:

Add cards are denoted by a "+" on the card, and Delete Cards are denoted by a "-" on the card.

Only 13.56 MHz Fob/Cards are supported.

9. System Diagram Examples



10. App Connectivity

Preparation For Use

Ensure that the smart phone you are using is connected to the same Wi-Fi network that you would like to attach the monitor to.

Ensure that you have a mobile device running iOS 8 or higher, Android 4.1x or higher, and a 2.4GHz Wi-Fi connection.

Download the Click Smart+ App on you mobile device from the App Store or Google Play.

Sign in or Register following the instructions on the Click Smart+ App.



1. Once the Monitor has been powered up, it will automatically create a hotspot name "SmartLife-xxxxx" (the last 6 digits will match this monitor's MAC address)
2. On the desired Smart Phone go into the Wi-Fi settings an connect the above SmartLife network. If the network has not been detected refer to step 3, otherwise continue onto step 4
3. On the Monitor go into Video Intercom > Cloud Intercom > Wifi Connection, and finally press "Valid". This will turn on AP mode, and the monitor will reboot, and once rebooted create the SmartLife hotspot.
4. Open the Click Smart+ app on your phone, press "Add Device", go into "ESP" on the left hand side, and select "Aperta IP PoE Monitor with App".
5. Ensure that AP Mode is selected in the top right corner, and follow the onscreen instructions.

Contact Details



Elite Security Products UK, Unit 7 Target Park, Shawbank Road, Lakeside, Redditch, Worcestershire, B98 8YN
Tel: +44(0) 1527 51 51 50 Fax: +44(0) 1527 15 01 43 Email: info@espuk.com
Registered in England, Company Registration Number: 02769392, VAT Registration: GB614686525

For more product information please visit www.espuk.com

E&OE - Errors and Omissions Excepted. I24

