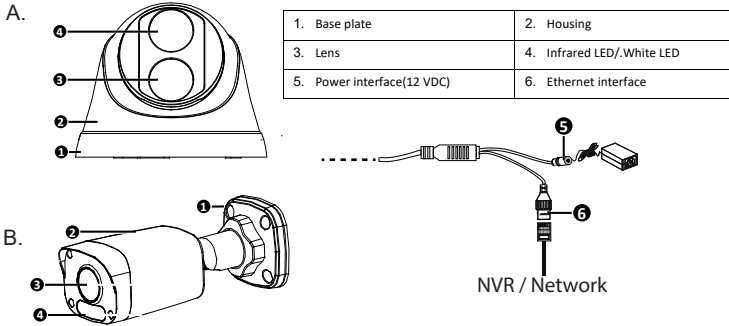

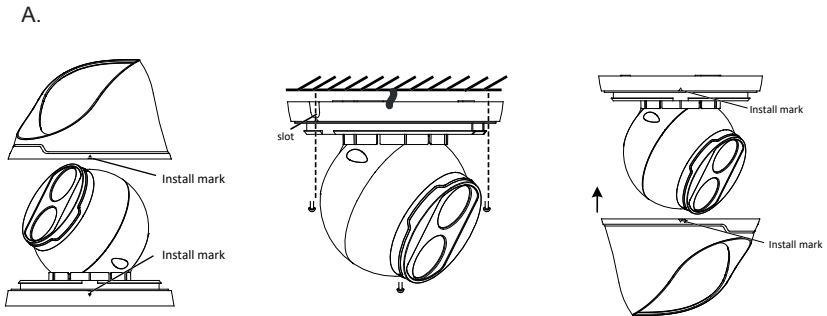


# IPC Quick Guide

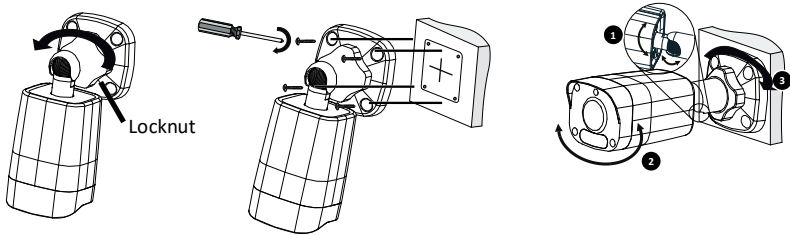


 Note: The connections are not to be exposed to moisture, therefore the connections are to be made internally or housed in a suitable ingress protected box.



1. Untighten the housing grub screw if applicable
2. Align the install marks on base and housing
3. With camera and cable in position, mount the base securely
4. Align the install marks on base and housing, then rotate housing to secure
5. Tighten housing grub screw if applicable

B.



1. Untighten the locknut and arm screws
2. With camera and cable in position, mount the base securely
3. Adjust the camera angle and tighten locknut and arm screws to secure

The latest product manuals and software is available online:



**Health & Safety**

This unit must be installed by a suitably qualified person. Please ensure that all installations comply with the current IEE regulations. For reasons of space and clarity not every system has been included and the diagrams have been simplified. The product is not user serviceable. Do not dismantle this product.

Due to our policy of continuous product improvement and development, the specifications in this guide may be subject to change without prior notice.

[https://www.espuk.com/technical\\_support/](https://www.espuk.com/technical_support/)



Elite Security Products  
Unit 7, Target Park,  
Shawbank Road, Lakeside  
Redditch B98 8YN



Telephone: 01527 51 51 50  
Fax: 01527 51 51 43  
Email: [info@espuk.com](mailto:info@espuk.com)  
Web: [www.espuk.com](http://www.espuk.com)

E&OE - Errors and omissions excepted. C22