

SANGAMO

Fit & forget...

Powersaver Boost (PSB)



Powersaver Select (PSS)



Installation Instructions

WARNING - ISOLATE THE MAINS BEFORE INSTALLATION & SERVICING

THIS INSTALLATION SHOULD BE CARRIED OUT BY A SUITABLY QUALIFIED PERSON, IN ACCORDANCE WITH THE CURRENT EDITION OF THE IEE WIRING REGULATIONS.

WARNING: All Powersaver products must be earthed, using the earth terminals at the rear of the switch.

The following cabling is recommended:
L & N In - 1.5mm² - 4.0mm² fixed
L & N Out - 1.5mm² - 2.5mm² flexible

For retro fit applications, only in conjunction with 143609 surface box:
L & N Out - 1.5mm² - 2.5mm² fixed or flexible.

Provision must be made in the fixed wiring for a means of disconnection from the supply having a contact separation of at least 3mm on all poles. This can be provided by the consumer unit.

The Powersaver product range are independently mounted time switches, of electronic construction, which can be surface or flush mounted. For flush fitting a metal box of at least 32mm internal depth should be fitted with the earth terminal at the bottom.

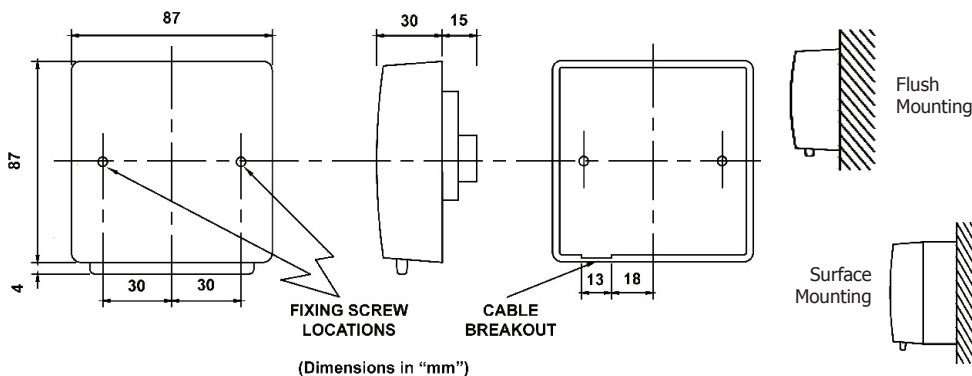
For surface mounting use a patress box with a minimum internal depth of 32mm.

Do not remove the Powersaver from its packaging until the patress/wall box is fitted and cleared of dust & debris. The Powersaver range is suitable for use in a normal pollution situation.

The cable clamp at the rear of the unit is for outgoing cables to the appliance only. **CONNECTION WARNING:** Isolate mains before installing. Supply terminals are for fixed wiring only. Load terminals are for fixed or flexible wiring. Remove 8mm of insulation from each wire & twist any multiple connection together.

All earth conductors must be sleeved

Installation Diagrams



(green/yellow) and connected to earth terminals provided on rear of switch. Fit the Powersaver to the patress box using screws provided.

When cutting the aperture for the output flexible cord ensure no sharp edges remain.

PLEASE NOTE: This product is not suitable for mounting on unearthed metal or metallic surfaces.

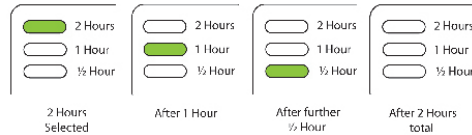
Programming

POWERSAVER BOOST (PSB)

The Powersaver Boost offers 3 options for the on period duration using the BOOST button.

Press once = 1/2 hour
Press twice = 1 hour
Press three times = 2 hour
Press four times = Cancel function

While the Boost is active the indicator light will change to show the maximum remaining time; e.g. 2 Hours selected



POWERSAVER SELECT (PSS)

The Powersaver Select offers a maximum of 3 on & 3 off operations to be set each day according to the programming cycle selected below.

- 1 = 24 hour cycle (default) - All days are programmed the same.
- 2 = 5/2 day cycle - Mon-Fri are programmed the same, Sat-Sun have separate programs.
- 3 = 7 day cycle - Each day is independently programmable.

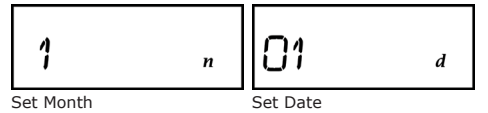
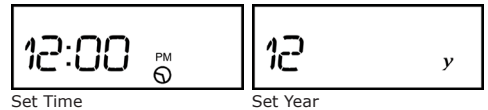
This programming cycle selection is only offered as part of the initial product set up or if a Product Reset has been carried out. Under normal conditions the programming cycle selection display is not shown.

Programming Cycle Program Methods:

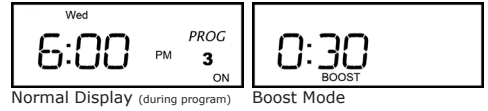
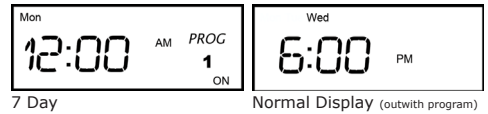
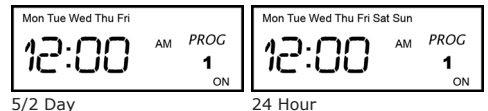
1. Press SET to exit initial reset display if shown.
2. Press SET to scroll through & review settings in sequence.
3. Press - & + to adjust these settings.
4. 7 day cycle ONLY - Press BOOST to copy programs into the next day.
5. 7 day cycle ONLY - Press OFF/ON to skip to a day
6. If a button is not pressed within 30 seconds, the unit will revert back to the normal running state.

Typical Displays:

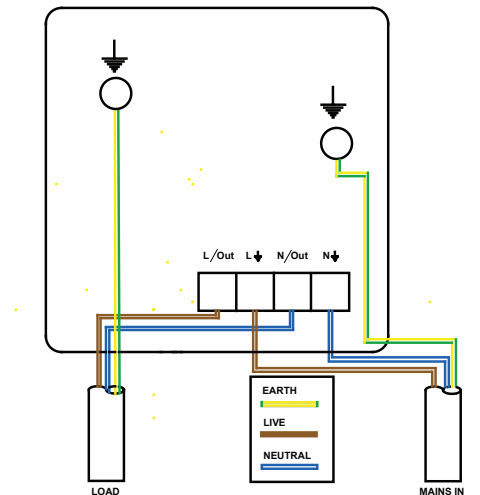
Cycle/Date/Time Setting Mode



Program Setting Mode



Wiring Diagram



Programming (cont...)

Programming Sequence

24 Hour Cycle

Time, Year, Month, Day,
Prog 1on, Prog 1off, Prog 2on, Prog 2off, Prog 3on, Prog 3off,
Return to normal display

5/2 Day Cycle

Time, Year, Month, Day,
Mon-Fri: Prog 1on, Prog 1off, Prog 2on, Prog 2off, Prog 3on, Prog 3off,
Sat-Sun: Prog 1on, Prog 1off, Prog 2on, Prog 2off, Prog 3on, Prog 3off,
Return to normal display

7 Day Cycle

Time, Year, Month, Day,
Mon: Prog 1on, Prog 1off, Prog 2on, Prog 2off, Prog 3on, Prog 3off,
Tue: Prog 1on, Prog 1off, Prog 2on, Prog 2off, Prog 3on, Prog 3off,
Wed: Prog 1on, Prog 1off, Prog 2on, Prog 2off, Prog 3on, Prog 3off,
Thu: Prog 1on, Prog 1off, Prog 2on, Prog 2off, Prog 3on, Prog 3off,
Fri: Prog 1on, Prog 1off, Prog 2on, Prog 2off, Prog 3on, Prog 3off,
Sat: Prog 1on, Prog 1off, Prog 2on, Prog 2off, Prog 3on, Prog 3off,
Sun: Prog 1on, Prog 1off, Prog 2on, Prog 2off, Prog 3on, Prog 3off,
Return to normal display

Notes on Programming:

- a) All programs must be in consecutive order, i.e. program 1 must be before program 2 & program 2 before program 3. If the wrong order is programmed error messages will be displayed
- b) If only 2 or less programs are required, for the remaining programs enter the same on & off times, e.g. Prog 3 on 8:00pm, off 8:00pm. This ensures the unwanted program is cancelled.
- c) Programming past midnight is NOT allowed. An error message will be displayed. To overcome this the program needs to be split as per example-

Desired program period - on 10:00pm off 7:00am
make Prog 1 - on 12:00am off 7:00am
make Prog 2 - on 7:00am off 7:00am
make Prog 3 - on 10:00pm off 12:00am

Progs make up desired program period leaving prog 2 available for a program during the day.

- d) if you try to input the off time before the on time an error message will be displayed. Press SET to continue.

Boost Function

Offers 3 options for on period duration outwith a program using the BOOST button.

Press once = 30mins

Press twice = 1 hour

Press three times = 2 hours

Press four times = Cancel function

Duration can be extended or cancelled by successive presses.

Off (Holiday) Function

Allows you to suspend programmes whilst still allowing the Boost function to be used using the OFF/ON button

Press once = Suspend programs
Press twice = Cancel

NOTE: This is NOT an override function for programs.
NOTE: BOOST button is still active.

Program Override Function

If during a program On time you wish to cancel the program simply press the BOOST button once.

NOTE: The program settings will not be affected & the next time this program is due, it will function as normal. Adjoining programs will also be cancelled.

Product Reset (return to default settings)

Switch off power to unit.

Hold in BOOST button whilst switching power back on.

1 displayed = press BOOST

2 displayed = press SET

3 displayed = press -

4 displayed = press +

5 displayed = press OFF/ON

All LCD segments flashing displayed (reset) = press SET to reprogram.

Keypad Lock

Press - & + together for 5 seconds to lock settings = display briefly shows L

NOTE: BOOST button is still active

NOTE: display shows L when other buttons pressed

Press - & + together for 5 seconds to unlock settings.

Specification

Contact Rating:	16A Resistive, 240V a.c.
Supply:	240V, 50-60Hz a.c.
Fixing:	Single patress - surface & flush mounting
Resolution of Programs:	10 minutes
Auto Summer/Winter Time Change:	Yes
Live Parts Protection:	This unit is totally protected by the enclosure
Dirt & Moisture Protection:	IP40
Shock Protection:	Class 1 (this must be connected to earth)
Case Material:	Polycarbonate, PT1 175
Temperature Rating:	T35
Operating Temperature:	0°C to 35°C
Memory Reserve (except Boost):	4 hours - when on power for previous 12 hours
Type of Action:	Type 1B
Control Pollution Category:	Normal

Program Settings:

PSS - max 3on & 3off operations each day according to selected program cycle;
24 hour, 5/2 day or 7 day

PSB - Boost Facility: User selectable ½, 1 or 2 hours

SERVICE AND WARRANTY

Your product is not user serviceable. **PLEASE DO NOT TRY TO DISMANTLE THE UNIT.**

This product is guaranteed by your supplier for 5 years from the date of manufacture. If it should become defective please contact your installer or supplier for a replacement unit or visit www.sangamo.co.uk/returns

This product must meet Waste Electronic and Electrical Equipment Regulations (WEEE) for suitable environmental recycling, recovery and/or disposal. End of life products should be handled in line with local regulations. Alternatively return end of life product to Sangamo for correct disposal.

CUSTOMER CARE POLICY

As part of Sangamo's continuous improvement program, the company operates a Customer Care policy. This means we welcome your comments and complaints, as it can help us to improve our services to you, our customer.

Due to our policy of continuous product improvement and development, the specifications in this guide may be subject to change without prior notice.

If you have a problem or require any further information please contact us on: **01475 745131**

Sangamo Limited
Industrial Estate, Port Glasgow,
Renfrewshire, PA14 5XG

Tel **01475 745131**
Fax: **01475 744567**
Email: enquiries@sangamo.co.uk
Web: www.sangamo.co.uk

