

4 // SPECIFICATIONS

▪ Rating	13A Resistive Load Rating, 230V, 50Hz,
▪ Live parts	Enclosed
▪ Dirt protection	IP30
▪ Shock protection	Class 1
▪ Contacts	Micro Disconnection
▪ Temperature	0 - 35°C
▪ Battery reserve	Approx. 10 years, Non-rechargeable, Lithium
▪ Clock accuracy	+/- 6mins per year @23°C
▪ Dimensions	H:114mm W:169mm D:61mm
▪ Program cycle	24 hour
▪ Summer/Winter time change	Automatic
▪ Off peak program	Installer selectable - 10 adjustable presets available covering low rate electricity tariffs; Economy 7, Economy 10 & Eco20:20
▪ Boost facility	User selectable - 1 or 2 hours
▪ Boost program	User selectable - up to hours

DO NOT EXCEED THE SPECIFIED CURRENT RATING FOR THIS PRODUCT

Installations are to meet the current requirements set out in the latest version of BS 7671 and are to follow all manufacturer's instructions.

Failure to comply may impact the product's performance and lifespan.

SERVICE AND WARRANTY

Guarantee: as shown on product identification label. Any tampering or misuse will invalidate this guarantee.

This product must meet Waste Electronic and Electrical Equipment Regulations (WEEE) for suitable environmental recycling, recovery and/or disposal. End of life products should be handled in line with local regulations. Alternatively return end of life product to Sangamo for correct disposal.

CUSTOMER CARE POLICY

As part of Sangamo's continuous improvement program, the company operates a Customer Care policy. This means we welcome your comments and complaints, as it can help us to improve our services to you, our customer.

Due to our policy of continuous product improvement and development, the specifications in this guide may be subject to change without prior notice.



WEE/JH0069TY



Elite Security Products
Unit 7, Target Park, Shawbank Road,
Lakeside, Redditch, B98 8YN

Tel: 01527 515150
Fax: 01527 515143
Email: sales@espuk.com
Web: www.espuk.com

SANGAMO

Powersaver Dual Flexi



Immersion Water Heater Controller Installation Instructions

SAFETY NOTICE



This unit must be installed by a suitably qualified person in accordance with the latest IEE Wiring Regulations.

Isolate mains supply before commencing installation. Please read all installation instructions before proceeding.

Provision must be made in the fixed wiring for a means of disconnection from the supply having a contact separation of at least 3mm on all poles. This can be provided by the consumer unit.

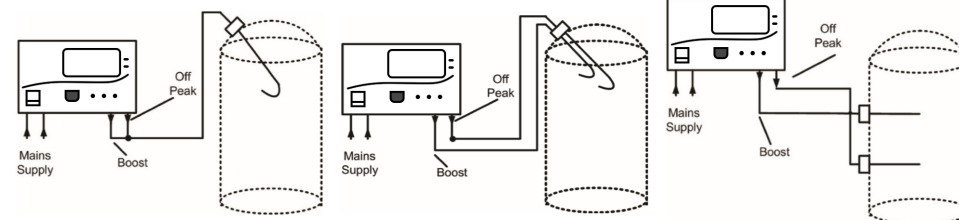
The Powersaver Dual Flexi is supplied with its own mounting box, which can be mounted over a single or double gang flush wall box.

This product is not suitable for mounting on unearthed metal or metalised surfaces.

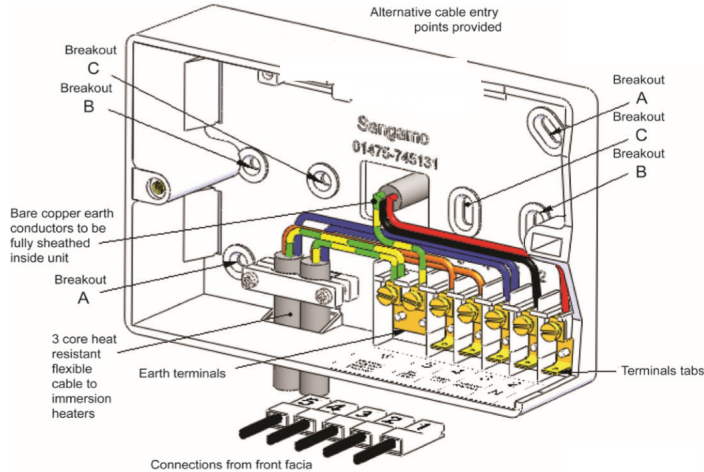
Single Immersion Heater

Dual Immersion Heater

Two Immersion Heater



1 // MOUNTING



The Powersaver Dual Flexi should be removed from the mounting box by unscrewing the 2 captive pattress screws.

Conduit box mounting - Use either holes marked 'C' to secure to a single gang box or the two holes marked 'B' for a double gang box. Cable entry is through the rear breakout.

Surface mounting - Use the two holes marked 'A'. Cable entry is through the most appropriate cut out.

Remove the appropriate cable entry cut outs before fixing the box, where possible drill the box to provide a close fitting entry for cables, taking care to remove sharp edges.

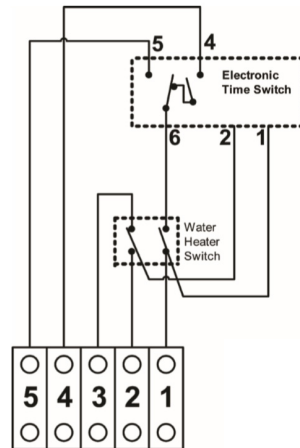
Ensure outgoing cables to the immersion heaters are securely clamped in the box. All surface wiring adjacent to the box should also be clamped appropriately or trunking used.

2 // WIRING

Use a three core heat resistant cable with a minimum conductor size of 1.5mm connection to an immersion heater. Connect the incoming wires to the terminal block as follows:

1. Live In
2. Neutral In
3. Heater Neutral
4. Boost Load
5. Off Peak Load

Link terminals 4 & 5 if using a single immersion heater.



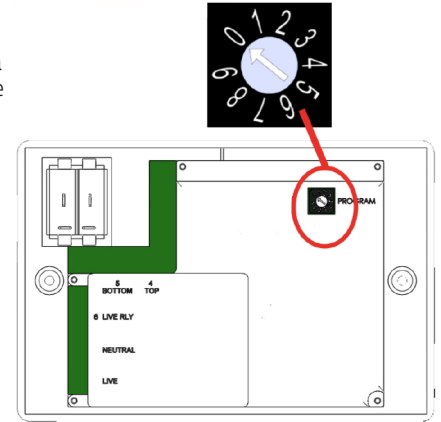
3 // COMMISSIONING

When the product leaves the factory the installer switch is set at program 0. The product settings may be reviewed/entered when not connected to a power supply. Pressing '-' or '+' buttons will activate the display and enable the review/settings to be made.

NB: to conserve battery power, the display will turn off after approx 30 sec. when off power.

See user instructions for operating details.

The user may need to check with their electricity supplier to confirm the off-peak electricity times used in that area & whether these times change between Winter (GMT) & Summer (GMT+1).



It is the responsibility of the installer to ensure that the correct setting is applied for the appropriate electricity tariff.

NB: A program can comprise of 1, 2 or 3 on/off programs depending on the tariff selected. Some program times remain the same and some change between Winter & Summer. For greater flexibility, program times are adjustable within the preset limits. The clock time will automatically adjust no matter which program is selected.

	Winter (GMT)						Summer (GMT+1)					
	ON	OFF	ON	OFF	ON	OFF	ON	OFF	ON	OFF	ON	OFF
Economy 7												
0	12:30am	6:30am					1:30am	7:30am				
1	11:30pm	7:30am					12:30am	8:30am				
2	10:00pm	8:30am					11:00pm	9:30am				
3	10:30pm	12:30am	2:30am	7:30am			11:30pm	1:30am	3:30am	8:30am		
Eco 20:20												
4	9:00pm	7:00am					10:00pm	8:00am				
Economy 10												
5	12:00am	7:00am	2:00pm	5:00pm	7:00pm	10:00pm	12:00am	7:00am	2:00pm	5:00pm	7:00pm	10:00pm
6	2:00am	7:00am	2:00pm	4:00pm	7:00pm	10:00pm	2:00am	7:00am	2:00pm	4:00pm	7:00pm	10:00pm
7	12:00am	5:00am	1:00pm	4:00pm	8:00pm	10:00pm	12:00am	5:00am	1:00pm	4:00pm	8:00pm	10:00pm
8	4:30am	7:30am	1:30pm	4:30pm	8:30pm	12:30am	4:30am	7:30am	1:30pm	4:30pm	8:30pm	12:30am
This preset MUST be adjusted or the unit will remain permanently ON												
9	12:00am	8:00am	8:00am	4:00pm	4:00pm	12:00am	12:00am	8:00am	8:00am	4:00pm	4:00pm	12:00am

To complete installation, take the front panel and push connectors numbered 1-5 into the corresponding terminal in the mounting base. Carefully present the front panel to the mounting box and secure with fixing screws. Ensure no wiring becomes trapped or damaged in the process.

Switch on the mains supply and put the rocker switch in the TIMED position.