

Choice CSTAT



Technical Data

Switch Action:	SPDT, Type 1CL
Switch Rating:	16(4)A, 230V AC
Sensing Element:	Capillary Sensor
Temperature Setting Range:	0°C to 90°C
Differential:	4°C ± 2°C (non-adjustable)
Max surface temperature:	110°C
Enclosure Protection:	IP40

Regulations

All wiring must be in accordance with IEE regulations.

Use heat resisting flexible cable rated at 85°C.

A Class 'A' switch (having contact separation of at least 3mm in all poles) must be incorporated in the wiring as a means of disconnecting the mains supply.

The heating system must be appropriately fused with a fuse rating of no higher than 3 amps.

For use in normal domestic environments.

Application

This is a water temperature thermostat, designed for surface mounting on domestic hot water cylinders, it is supplied complete with mounting strap for rapid and easy installation.

Draining of the system or tapping of the cylinder is not necessary.

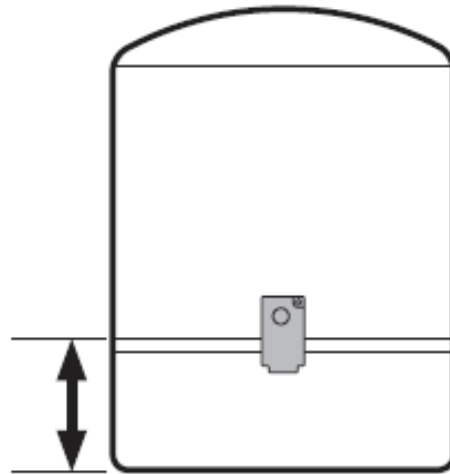
No earth connection is required as the product is double insulated but ensure continuity of earth throughout the system.

Features

- The S.P.D.T switching action is accomplished by a Micro Switch which is actuated by a temperature sensing element.
- The desired temperature control point is set by the clearly scaled temperature knob at the front.
- Wiring terminals are easily accessible.

Mounting Position

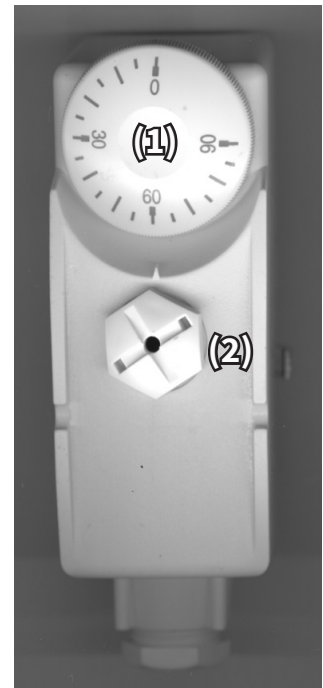
The cylinder thermostat should be mounted 1/4 to 1/3 of the way from the bottom of the cylinder.



Cover Removal

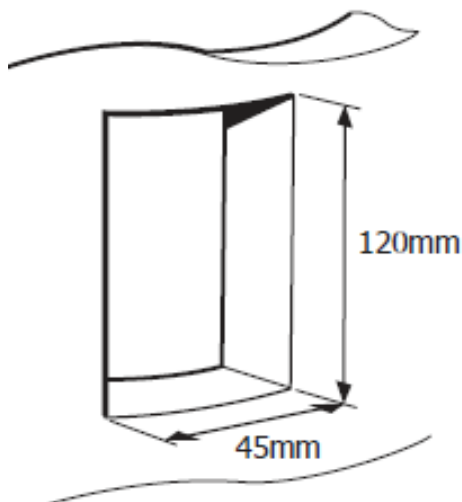
Caution:

To remove cover carefully prise off setting knob (1) and loosen locking nut (2).

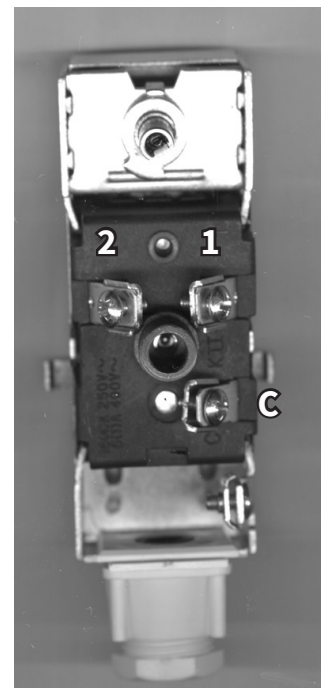


Pre-insulated Cylinder Preparation

Remove a section of insulation as specified. Clean cylinder surface to ensure good surface contact.

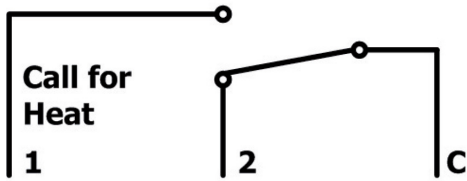


Wiring To Terminals



Wiring Diagram

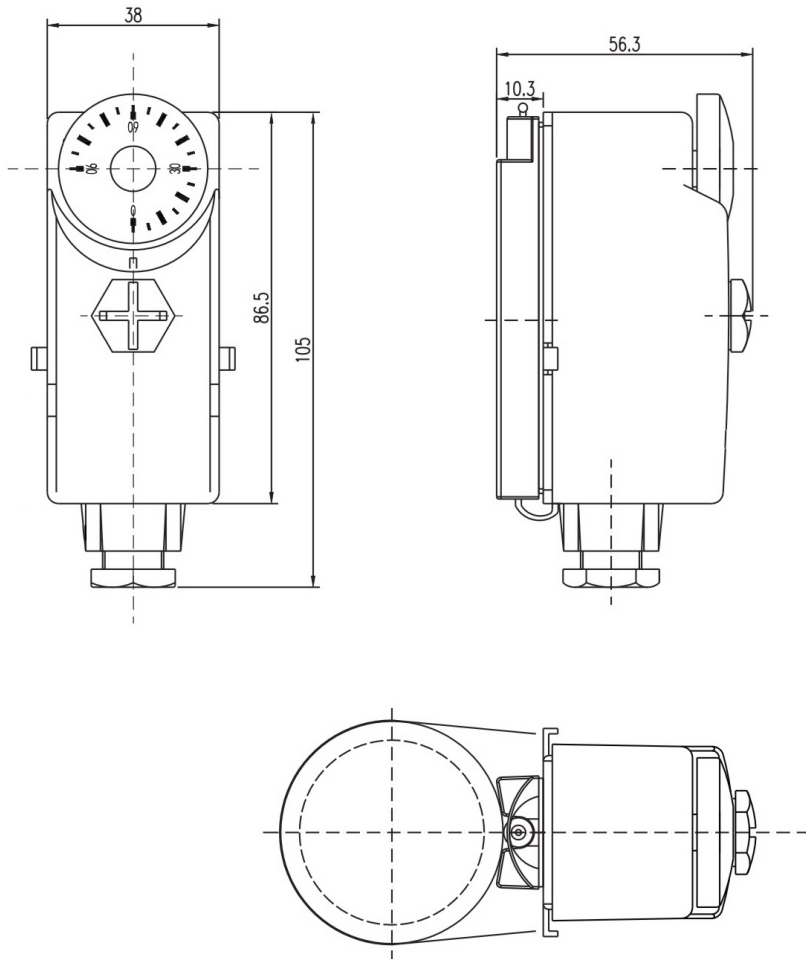
(Route cabling through cable gland) and present and tighten stripped wires to terminal.



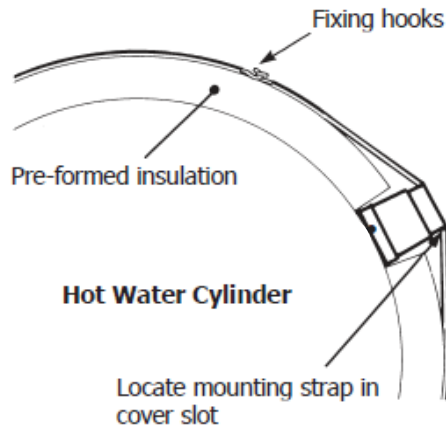
Refitting

Ensure cable gland located back into position and tighten. Refit cover by tightening locking nut and pushing on the setting knob.

Dimensions



Mounting



Fixing Strap & Hooks

Cut strap to size (if required to ensure thermostat is held firmly against cylinder)



Temperature Setting



Turn the dial to the required temperature and set at the indicator marker.

Recommend setting is 60°C

SERVICE AND WARRANTY

Your product is not user serviceable. **PLEASE DO NOT TRY TO DISMANTLE THE UNIT.**

This product is guaranteed by your supplier for 5 years from the date of manufacture. If it should become defective please contact your installer or supplier for a replacement unit or visit www.sangamo.co.uk/returns

This product must meet Waste Electronic and Electrical Equipment Regulations (WEEE) for suitable environmental recycling, recovery and/or disposal. End of life products should be handled in line with local regulations. Alternatively return end of life product to Sangamo for correct disposal.

CUSTOMER CARE POLICY

As part of Sangamo's continuous improvement program, the company operates a Customer Care policy. This means we welcome your comments and complaints, as it can help us to improve our services to you, our customer.

Due to our policy of continuous product improvement and development, the specifications in this guide may be subject to change without prior notice.

If you have a problem or require any further information please contact us on:

01475 745131

Sangamo Limited
Industrial Estate, Port Glasgow,
Renfrewshire, PA14 5XG

Tel 01475 745131

Fax: 01475 744567

Email: enquiries@sangamo.co.uk

Web: www.sangamo.co.uk

