

# Remote Indicator



Designed for fire detection systems requiring local indication of an individual or group of fire detectors in alarm mode, the VRLU indicator utilises an ultra-bright LED with a wide range of illumination.

The VRLU remote indicator is able to operate with many types of conventional and analogue addressable fire detectors, frequently eliminating the requirement to stock two types of indicator. The VRLU may also be used for other applications requiring a local visual indicator. A purpose-made back box is available as a complete unit.



Remote Indicator with Back Box

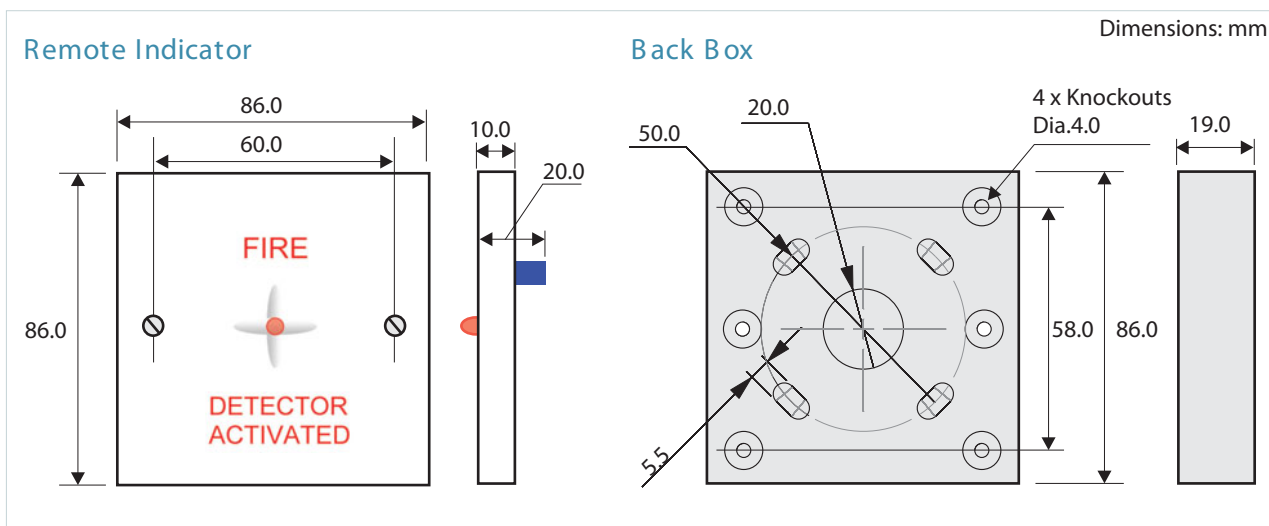
## Specification

Part Numbers:	VRLU
	VRLU-VMB (with back box)
Operating Voltage Range:	5-28 V dc

## Electrical Configuration

System	Resistance	Terminals	Current
Conventional	1000 Ohm	1,3	23 mA @ 24 V
Addressable	0	2,3	28 mA Max.

## Dimensions



ESP - Elite Security Products Ltd  
 Unit 7 Target Park  
 Shawbank Road, Lakeside  
 Redditch B98 8YN