

MAGPRO-2i2O

EN54-18

Installation Instructions

! ATTENTION

The MAGPRO-2i2O addressable module must be connected only to fire panels from MAGPRO Series!

General Description

MAGPRO-2i2O is an addressable input-output module. The module monitors 2 analogue input signals and controls 2 relay outputs.

MAGPRO-2i2O is powered on from the fire panel and can be controlled via the communication protocol. The module is mounted in a separate small plastic box suitable for wall mounting.

Installation

Attention: Power off the loop circuit before installing the MAGPRO-2i2O addressable module!

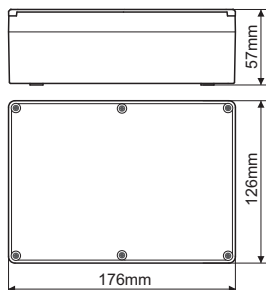
1. Choose the proper place for installation of the module. Undo the screws of the cover and open the box.
2. Set the module address using MAGPRO-PROG programming tool. The address must be in the range from 1 to 250. The set address is one for the entire module.
3. Dismount the module's PCB from the box bottom. Mark the mounting holes on the installation surface. Drill holes at the appropriate box side and run the cables to the module's loop and input-output terminals.
4. Mount the box bottom at the place of installation. Mount the PCB back on place.
5. Connect the cables to the loop and input-output terminals of the module according to the shown Connection diagrams.
6. Close the cover of the plastic box and fix it to the bottom with the supplied screws.
7. Test the module for proper operation and LED indication.

TECHNICAL SPECIFICATIONS

Operating voltage	15÷32 VDC
Consumption stand-by mode	235µA@27VDC
Nom. current consumption	260µA@27VDC
Outputs, electrical characteristics (max.)	DC 30V/1A; AC 125V/0.5A
Current consumption with 1 LED on	3.5mA
Current consumption with 2 LEDs on	7mA
Installation wires	0.4mm ² ÷ 2.0mm ²
Relative humidity	≤93% @ +40°C
Material (plastic)	PS
Color	Gray
Standard	EN54-18

Distributor: Elite Security Products Ltd, Unit 7 Target Park, Shawbank Road Lakeside, Redditch B98 8YN, UK <http://www.espu.com>
Manufacturer: Teletek Electronics JSC, 14 Srebarna Str., 1407 Sofia, Bulgaria, <http://www.teletek-electronics.com>

! Dimensions



! Installation



IP40



-10°C ÷ +60°C



~320g



Indoor use

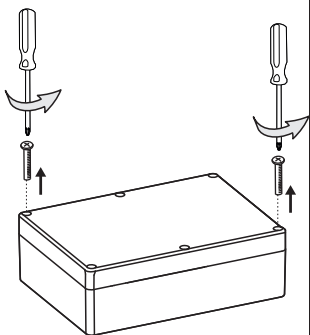


Outdoor use



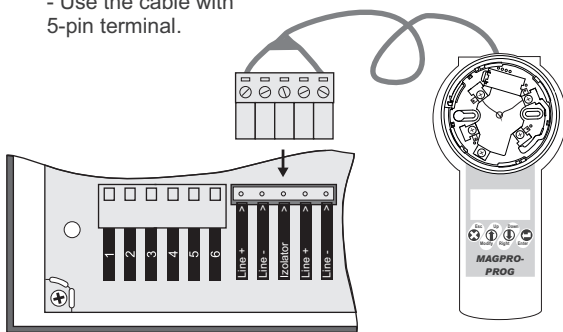
1293-CPD-0258

1 Open the box

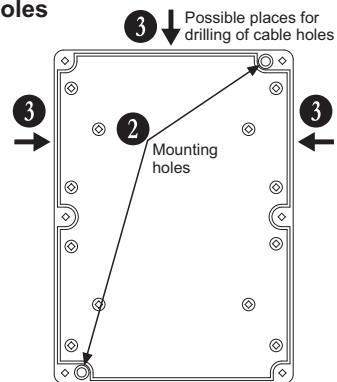
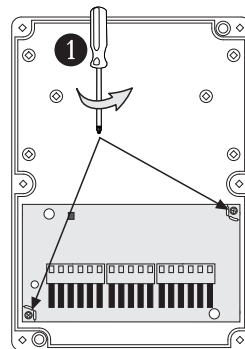


2 Address programming

- Use the cable with 5-pin terminal.



3 Mounting and Cable holes



LED Indication

1. OUTPUTS

Status		Red LED
OUT 1	OUT 2	
OFF	OFF	□
OFF	ON	■
ON	OFF	■
ON	ON	■

2. INPUTS

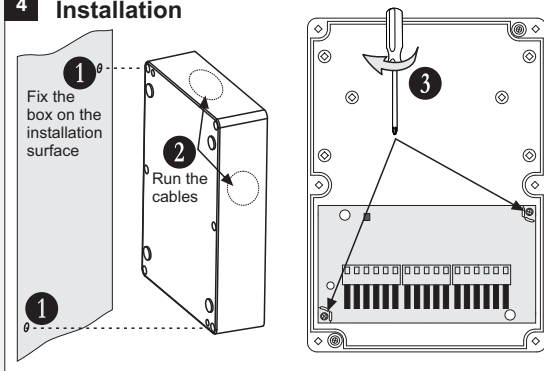
Status		Red LED
IN 1	IN 2	
Normal	Normal	□
Normal	ON	■
ON	Normal	■
ON	ON	■

Status		Yellow LED
IN 1	IN 2	
Normal/ON	Normal/ON	□
Short/Open	Normal/ON	■
Normal/ON	Short/Open	■
Short/Open	Short/Open	■

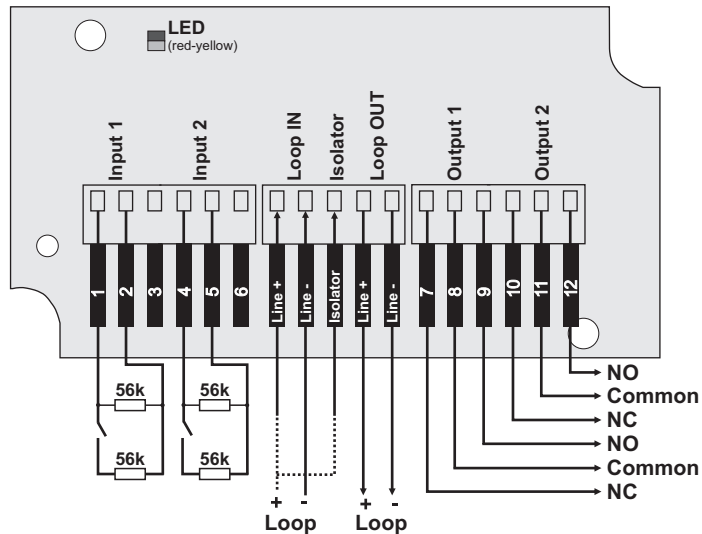
Legend:

■ - LED Lights on; □ - LED Lights off

4 Installation



5 Connection diagrams



INPUTS Status

Status	Description	R*	I**
SHORT	Short circuit	<13k	>54μA
ON	Activation	13k - 36k	38μA - 54μA
NORMAL	Stand-by mode	36k - 90k	23μA - 38μA
OPEN	Open circuit	>90k	<23μA

* R - resistance between the input and GND

** I - current at the input

ATTENTION: When you use the integrated short circuit isolation module connect one of the "+Loop" loop lead to the "Isolator" terminal of the module.