

MAGPRO-0i40

EN54-18

Installation Instructions

! ATTENTION

The MAGPRO-0i40 addressable module must be connected only to fire panels from MAGPRO Series!

General Description

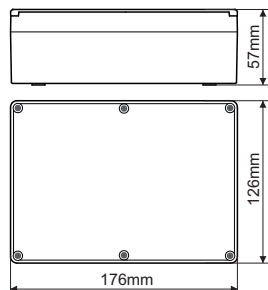
MAGPRO-0i40 is an addressable output module. The module controls 4 relay outputs. MAGPRO-0i40 is powered on from the fire panel and can be controlled via the communication protocol. The module is mounted in a separate plastic box suitable for wall mounting.

Installation

Attention: Power off the loop circuit before installing the MAGPRO-0i40 addressable module!

1. Choose the proper place for installation of the module. Undo the screws of the cover and open the box.
2. Set the module address using MAGPRO-PROG programming tool or directly from MAGPRO16 or MAGPRO-96 addressable fire panel. The address must be in the range from 1 to 250. The set address is one for the entire module. Use an appropriate sticker to write down the set address and to label the module.
3. Dismount the module's PCB from the box bottom. Mark mounting holes on the installation surface. Drill holes at the appropriate box side and run the cables to the module's loop and output terminals.
4. Mount the box bottom at the place of installation. Mount the PCB back on place.
5. Connect the cables to the loop and output terminals of the module according to the shown Connection diagrams.
6. Close the cover of the plastic box and fix it to the bottom with the supplied screws.
7. Test the module for proper operation and LED indication.

! Dimensions



! Installation



IP65



-10°C ÷ +60°C



~320g



Indoor use



Outdoor use

TECHNICAL SPECIFICATIONS

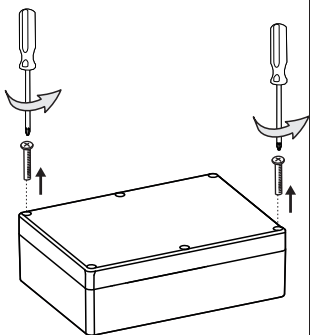
Operating voltage	15 ÷ 32 VDC
Consumption stand-by mode	175µA@27VDC
Nom. current consumption	260µA@27VDC
Outputs, electrical characteristics (max.)	DC 30V/1A; AC 125V/0,5A
Current consumption with 1 LED on	4mA
Installation wires	0,4mm ² ÷ 2.0mm ²
Relative humidity	≤93% @ +40°C
Material (plastic)	ABS
Color	White
Standard	EN54-18



1293-CPD-0258

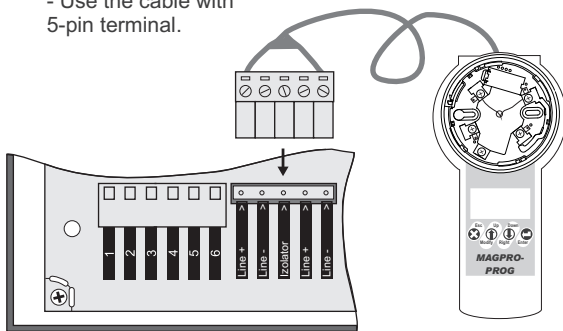
Distributor: Elite Security Products Ltd, Unit 7 Target Park, Shawbank Road Lakeside, Redditch B98 8YN, UK <http://www.espuke.com>
Manufacturer: Teletek Electronics JSC, 14 Srebarna Str., 1407 Sofia, Bulgaria, <http://www.teletek-electronics.com>

1 Open the box

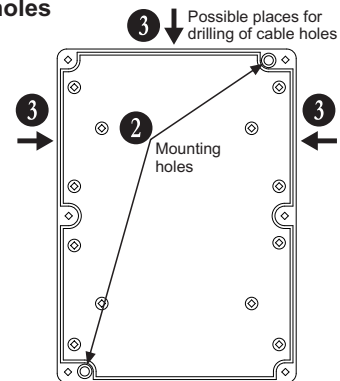
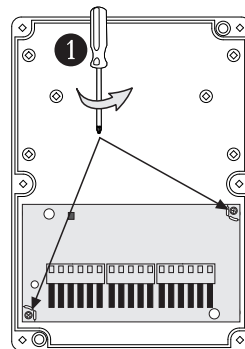


2 Address programming

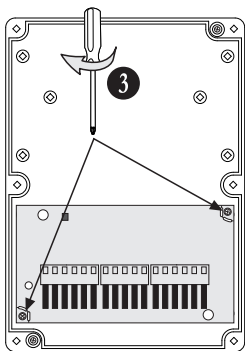
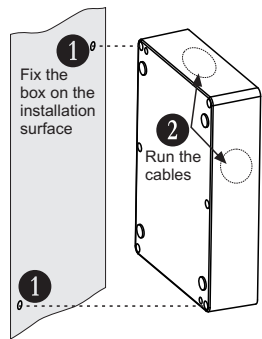
- Use the cable with 5-pin terminal.



3 Mounting and Cable holes

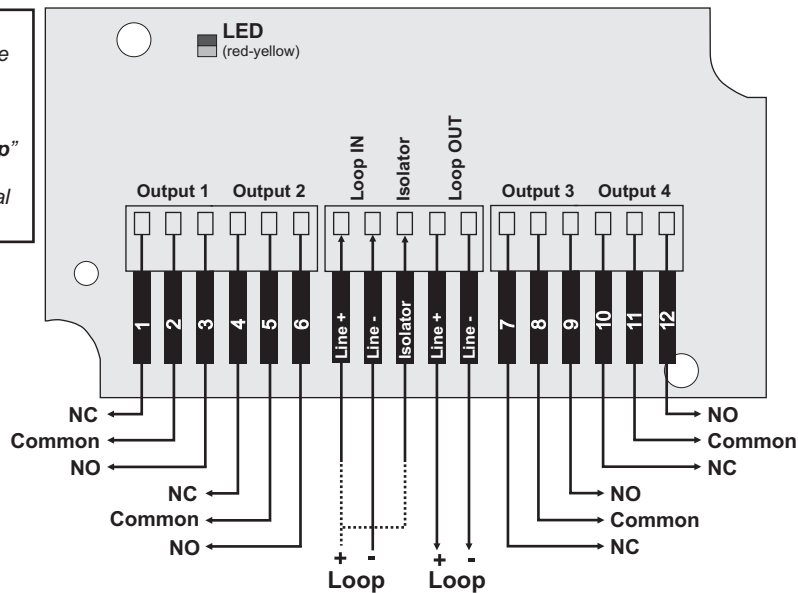


4 Installation



5 Connection diagrams

ATTENTION:
When you use the integrated short circuit isolation module connect one of the "+Loop" loop lead to the "Isolator" terminal of the module.



LED Indication

OUTPUTS

- The RED LED Lights on, when at least one of the outputs is turned on (state ON)
- The RED LED Lights off, when all of the outputs are turned off (state OFF)



The RED LED is blinking when communication between the module and fire panel is running on