



## INSTALLATION AND MAINTENANCE INSTRUCTIONS

### MAGDUOBBS MAGDUO Battery Box

[https://www.espuk.com/technical\\_support/product\\_manuals/?cat=4](https://www.espuk.com/technical_support/product_manuals/?cat=4)

#### General Description

The External Battery box provides extended emergency short-term backup power for the MAGDUO Panel to enhance the usability and reliability of the systems.

The External Battery box safeguards operation during brownouts, blackouts, and other power interruptions providing extended battery run time.

Only use the external battery box purchased from ESP which has been approved for use with the MAGDUO panel. (will not fit a flush mounted panel)

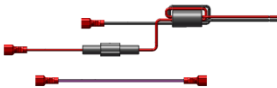
This must be mounted beneath the MAGDUO panel. Conduit bushes, coupling and battery lead harness are provided with the external battery box kit.

When using the external battery box the internal batteries within the panel are not used and must be removed. The internal battery connection leads must also be removed and are replaced by the battery connection leads provided with the external battery box.

#### Battery Type

The external battery box will require 2 x 12V 7.0Ah batteries (not provided).

#### Contents



1 x Battery lead harness

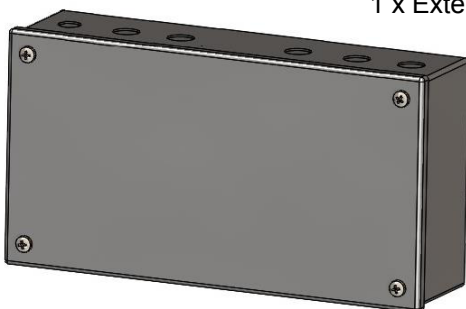


2 x 20mm conduit bush

1 x External Battery box

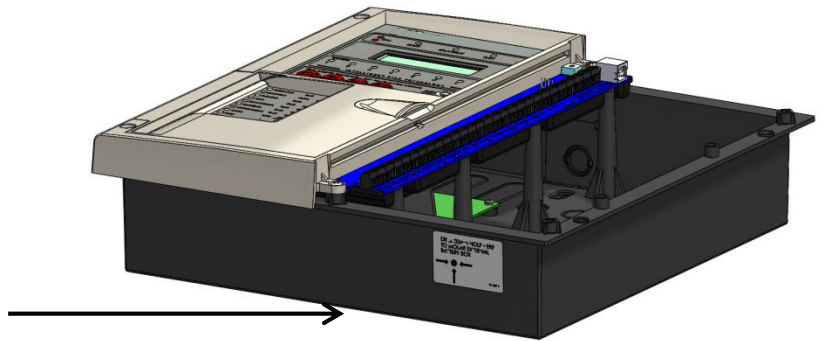
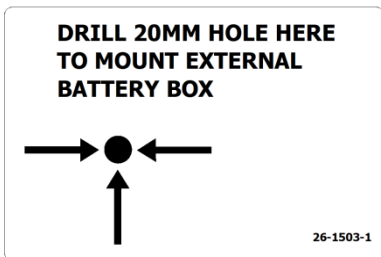


1 x 20mm coupling

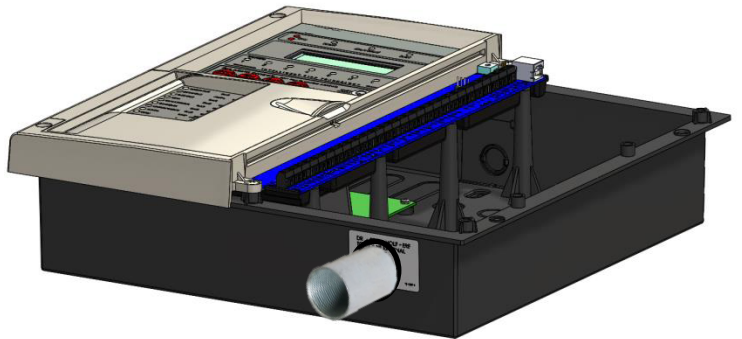
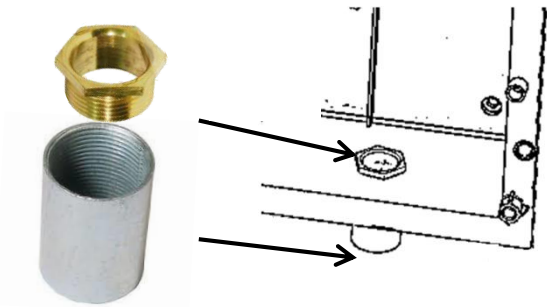


## Installation

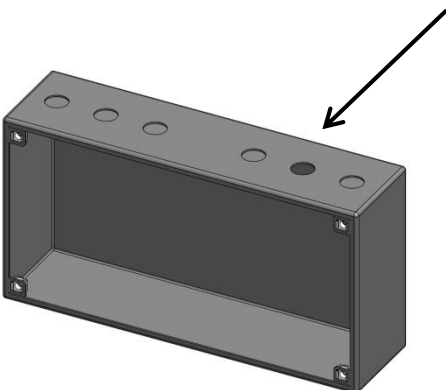
1. Locate label 26-1503-X on the bottom of the MAGDUO back box and drill 20mm hole as described.



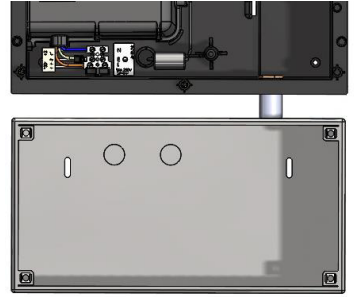
2. Using 1 x 20mm conduit bush, attach the 20mm coupling to MAGDUO backbox



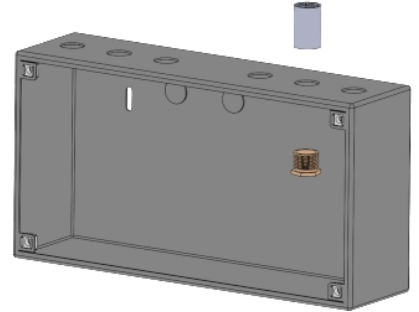
3. Remove the relevant knockout from the top of the battery box as indicated



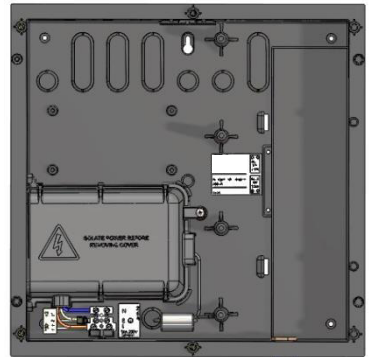
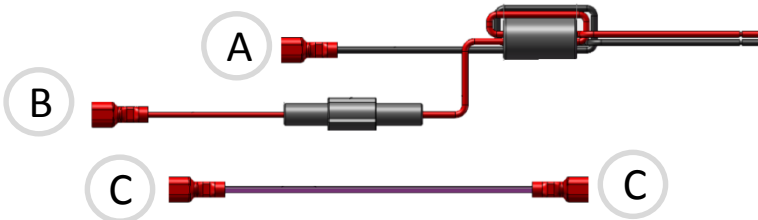
3. Mount battery box beneath the MAGDUO panel, secularly fix to wall ensuring the box is level (box weight)



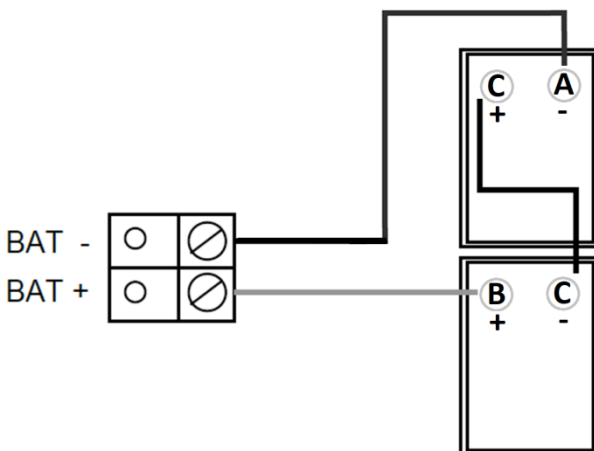
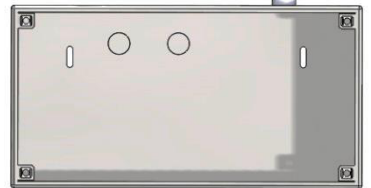
4. Attach the battery box to the coupling Using 1 x 20mm conduit bush

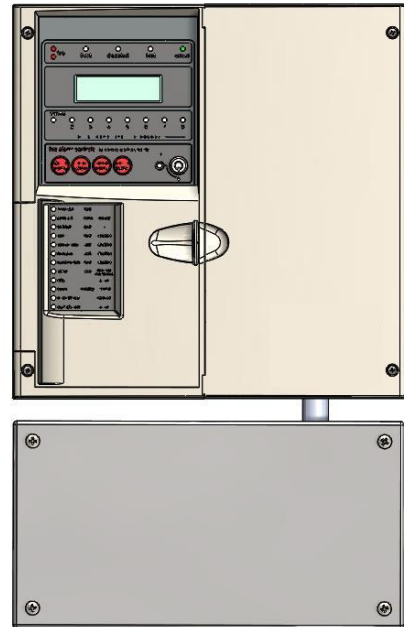
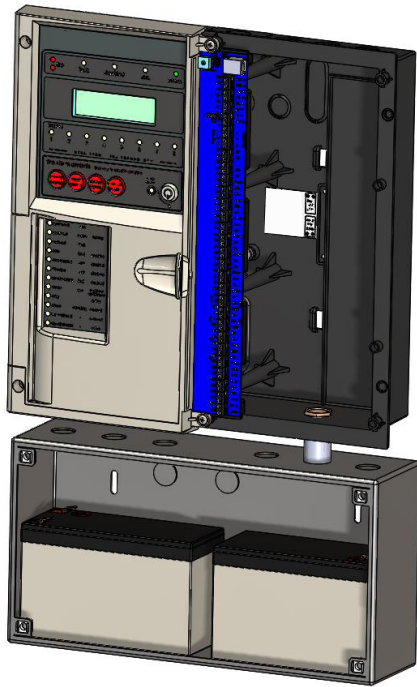


5. A harness is provided that extends from the battery box to the control panel. Connections are described below. You must run the harness through the knockout (removed above), through the coupling and up to the control panel battery terminal (BAT+ BAT-)



Check all battery connections carefully for polarity.  
REVERSED CONNECTIONS MAY DAMAGE EQUIPMENT.





## Technical Data

For specifications of the MAGDUO Panel please review the MAGDUO manual

## Technical Support

Due to the complexity and inherent importance of a life risk type system, training on this equipment is essential, and commissioning should only be carried out by competent persons.

ESP's policy is one of continual improvement and the right to change a specification at any time without notice is reserved. Whilst every care has been taken to ensure that the contents of this document are correct at time of publication, ESP shall be under no liability whatsoever in respect of such contents. E&OE.

[www.espu.com](http://www.espu.com)