

Assistance Alarm

UDTAKIT
White



UDTAKITSS
Stainless Steel



UDTAKITG
Grey



POWER/LIGHT/
BUZZER MODULE



RESET
MODULE



PULL CORD
MODULE



Overview

1. Pull cord Module

1st pull handle to be 100mm from floor.

2nd pull handle to be mounted 800/1000mm from floor.

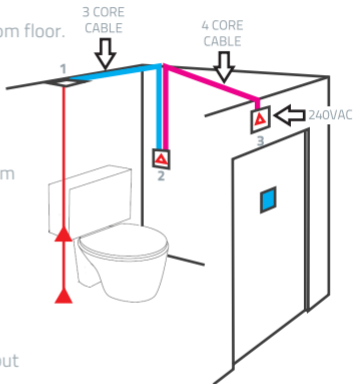
2. Reset Module

Module to be mounted maximum 1200mm from the floor

3. Input Power, Light and Buzzer Module

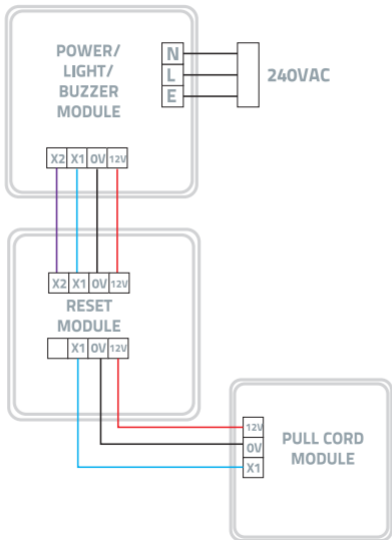
Activates when the Pull Cord is triggered.

Also provides system power input

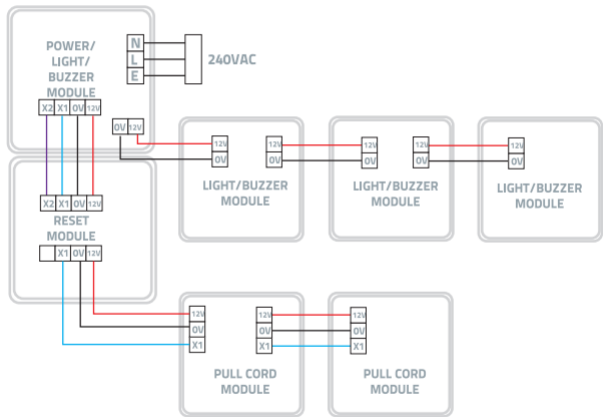


System designed to comply with care standards BS8300
Installation to be carried out by a qualified electrician.

Kit Wiring Configuration

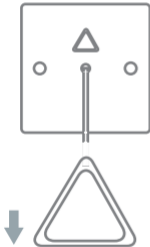


Maximum Wiring Configuration



Operation Guide

1



Pull triangle on cord
to activate alarm

2



Light indication and buzzer
will activate

3



Press the RESET button
to reset the system

For backup battery modules please test/replace the battery a minimum of every 12 months & after any duration the system has been powered directly from the battery.

An audible tone will sound if the battery is missing or low.

Battery Conditions:

Battery level normal

(12v-9.6v) Alarm activation for approximately 10 minutes

Battery level low

(9.6v-6v) Alarm activation for approximately 4 minutes

Battery level 6v or below

Replace battery

Battery Type: A23 Alkaline Battery 12V



Elite Security Products
Unit 7, Target Park,
Shawbank Road, Lakeside,
Redditch B98 8YN

Tel: +44 (0) 1527 51 51 50

Fax: +44 (0) 1527 51 51 43

www.espuk.com ▪ **sales@espuk.com**



K23