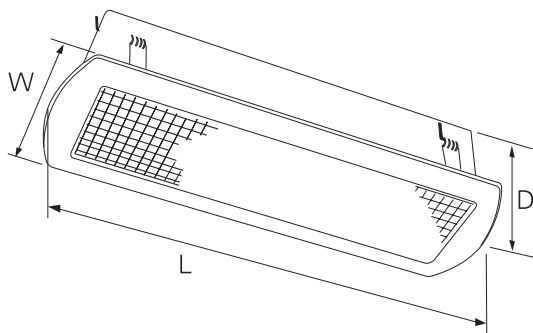


INSTALLATION

- 1) Suitable for flush mounting in ceiling
- 2) Fitting retained in ceiling by spring steel clips



L (mm)	W (mm)	D (mm)	Cut out (mm)
389	126	80	340 x 90

- 3) Connect the AC240V to the L.E.N. Terminal block.
- 4) Connect battery.
- 6) Switch on the mains supply, and green indicator lamp will illuminate indicating that the unit is operational. If these indicators are not on, check connection of the battery and mains and ensure the lamp filaments are intact.



Elite Security Products
Unit 7, Target Park,
Shawbank Road, Lakeside,
Redditch B98 8YN
Telephone: 01527 51 51 50
Fax: 01527 51 51 43
Email: info@espuk.com
www.espuk.com
E&OE - Errors and omissions excepted. I17

FAULT FINDING AND CORRECTIVE ACTION

MONITORING LED NOT ILLUMINATED

A.C. supply not healthy. Battery not connected. Charger failed.

UNIT NOT MEETING REQUIRED EMERGENCY PERIOD

may need cycling: Discharge then, recharge for full 24 hours. Retest, battery may need replacing if emergency duration is still not met.

LAMP NOT ILLUMINATED

If illumination is hesitant and of a low level, either the battery or (less likely) the printed circuit board needs replacing.

RECOMMENDED ROUTINE TEST PROCEDURE

The following test is designed to ensure the continued protection of your premises and occupants. Because of the possibility of a failure of the normal lighting supply occurring shortly after a period of testing, all tests should whenever possible, be undertaken at times of least risk, e.g during daylight hours.

ONCE A DAY

Visual inspection of battery charge led.

ONCE A MONTH

Each unit should be energised from its battery for about 30 seconds by simulation of a failure of the normal lighting supply, to ensure the lamp operates in the emergency condition.

TWICE A YEAR

Each unit should be energised from its battery for a continuous period of at least one hour. Inspect the halogen lamps. It is recommended that for luminaires the lamps are replaced at intervals of no more than 1 year in order to retain the design photometric characteristics.

AFTER THREE YEARS & EACH SUBSEQUENT YEAR

All units with specified durations in excess of 1 hour should be energised for their full rating period.