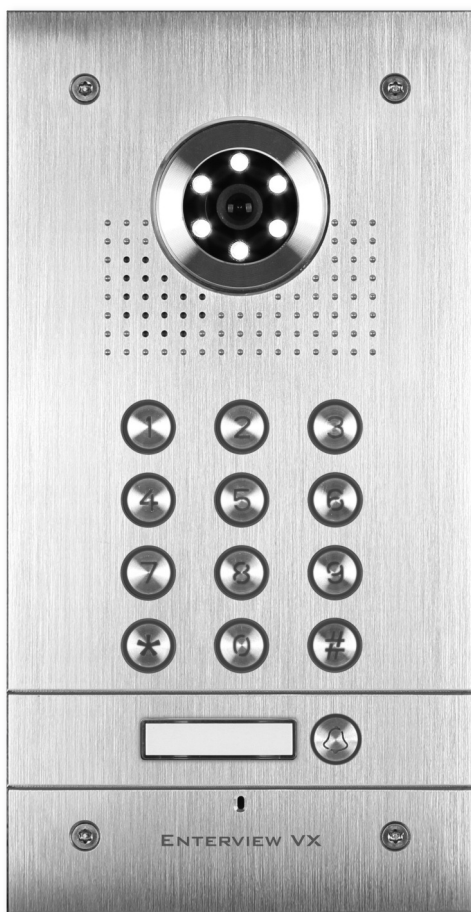


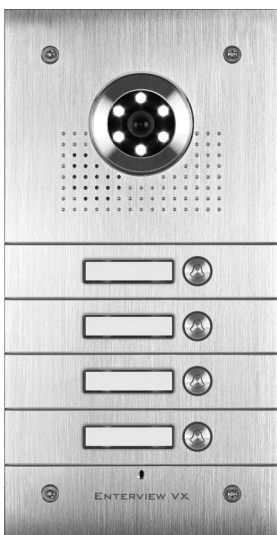
INTERVIEW VX



www.espuk.com

Table of contents

| | |
|--|----|
| Planning and installing the Enterview VX | 3 |
| Wiring Diagram | 5 |
| Fitting the external call station | 6 |
| Fitting and wiring the handset | 7 |
| Programming the Enterview VX keypad | 9 |
| Trouble Shooting Guide | 11 |
| Optional accessories for Enterview VX | 12 |



EVVX1F
1 button flush mount video door station

EVVX2F
2 button flush mount video door station

EVVX3F
3 button flush mount video door station

EVVX4F
4 button flush mount video door station

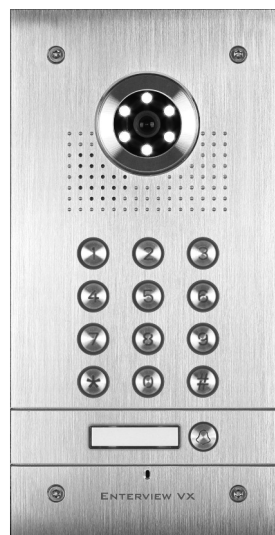


EVVX1S
1 button surface mount video door station

EVVX2S
2 button surface mount video door station

EVVX3S
3 button surface mount video door station

EVVX4S
4 button surface mount video door station



EVVX1KPF
1 button flush mount video door station with keypad

EVVX2KPF
2 button flush mount video door station with keypad

EVVX1KPS
1 button surface mount video door station with keypad

EVVX2KPS
2 button surface mount video door station with keypad

Planning and installing the Interview VX

External call station

- How many Entry Doors (Front or/and Rear)
- Mounting: flush or surface.

Equipment required

- External call station (one required per door)
- Maximum of 4 call buttons
- External call station power supply DC 12 volts (EVBPS) (one required per door)
- Handset EV5H/EV5HF (minimum of one per external call button)
The maximum distance per supplied power supply to each handset is 10 meters using 2 pairs of CAT5e cable.
- Electric lock magnetic (ML250)/Yale type (ENTERD)
- CAT5e cable minimum 4 cores (see Note above regarding cable distances)
- Push to exit button (one required per door if magnetic lock used)
- Emergency break glass (One required per door if magnetic lock used and the door is deemed and emergency exit)
- Combined timed lock and outdoor call station power supply (EVBPS)

Note: The maximum cable distance from the external panel to each internal handset is 100 meters using CAT5e cable.

Handsets

- Audio/video handsets: a minimum of one per external call button/ a maximum of 4 video door entry handsets and 2 audio only handsets.
- Each handset requires the supplied power supply.

Door Gear

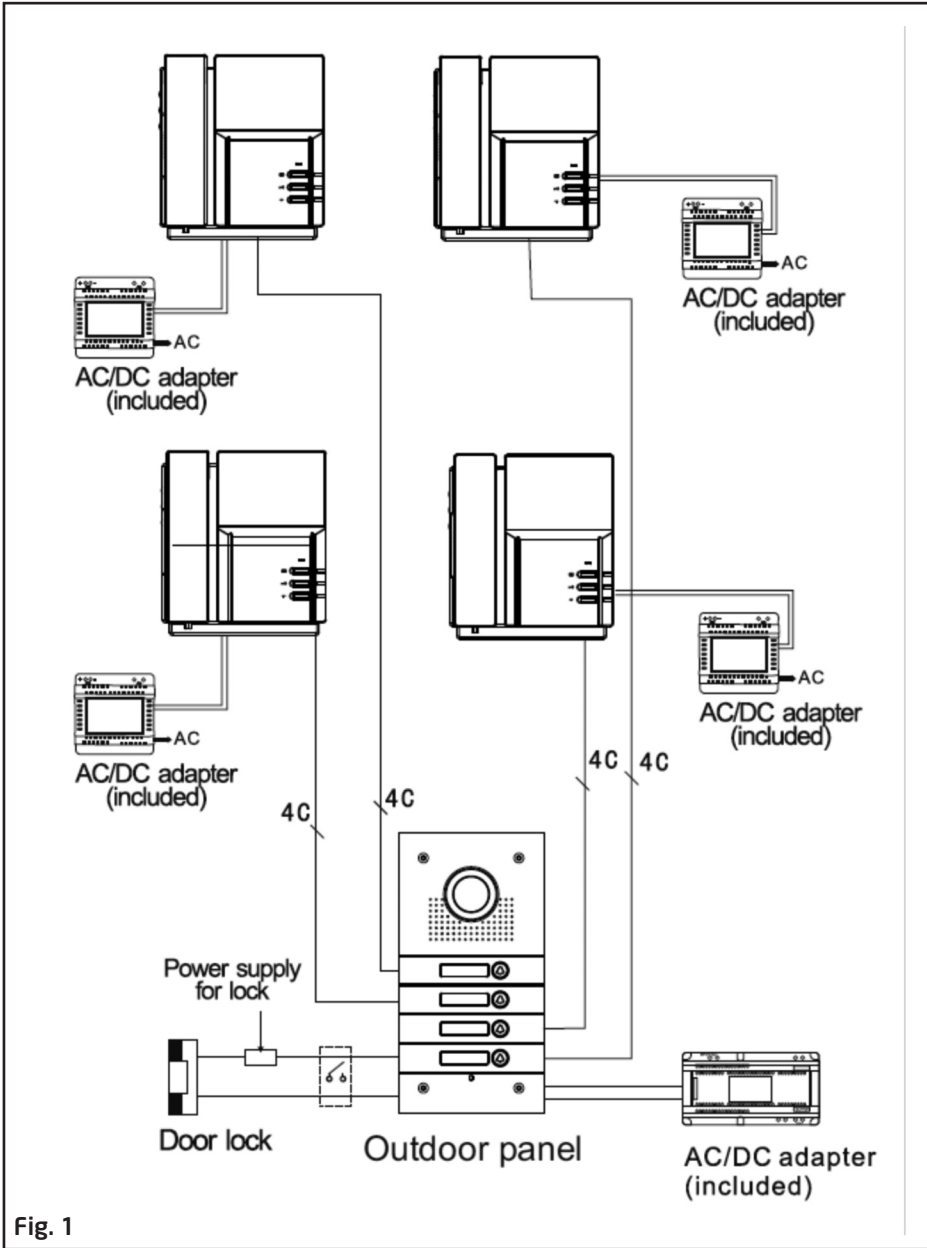
- Power supply with timed output (EVBPS)
- Magnetic lock or Yale type lock
- Push to exit button and emergency break glass (only needed when magnetic lock fitted and to an emergency exit door)

Basic cabling

- 240 VAC mains feed to external door and lock control power supply (EVBPS)
- 240 VAC mains feed to each handset (via transformer- supplied)
- 4 core from each external call station (front/rear) to its own power supply (EVBPS)
- CAT5e from each external call station (front/rear) to each handset
- 4 core from push to exit button to EVBPS (power supply)
- 4 core from lock to EVBPS (power supply)
- 4 core from EVBPS (power supply) to emergency break glass (if fitted)
- 2 pairs of CAT5e from supplied power supply to each handset

Note: The maximum cable distance from the external panel to each internal handset is 100 meters using CAT5e cable. The maximum distance per supplied power supply to each handset is 10 meters using 2 pairs of CAT5e cable.

Wiring diagram



Fitting the external call station

- Select a location close to the door to be controlled
- Recommended mounting height 1.45 meters (camera lens)
- Secure back plate to the wall paying attention to the upward facing arrow located on the back plate
- Feed cables from each apartment and the power supply through the cable entry hole, the entry hole will need to be knocked out.

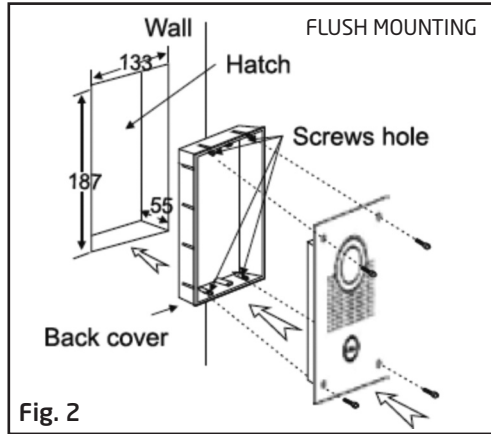


Fig. 2

Wiring the external call station

- Each call button will have its own brown 4 core connector (supplied) consisting of red, blue, yellow and white cores.
- The 4 colours that are connected to the brown connector are to be connected to the corresponding 4 core cable going to each of the apartments.
- The connection can be completed by means of soldering, crimping or by use of screw connectors.
- To power the camera, keypad and call station a 12 volt DC feed is required. To do this a white two pin plug consisting of red and black cores supplied should be connected to the corresponding cable going to the EVBPS power supply.
- The two single black cables on the external call station are for the lock release. These are volt free and are normally open going closed. These contacts will change state on the lock release command. The two black cables need to be connected the EVBPS 'p.b' terminal

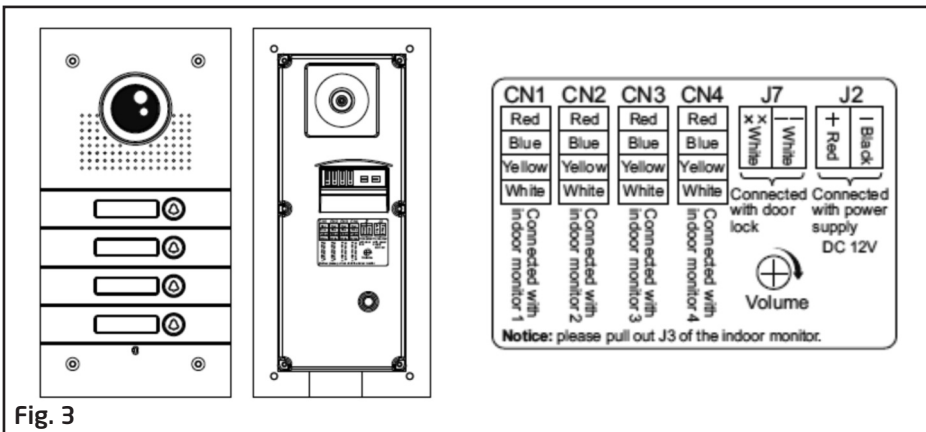
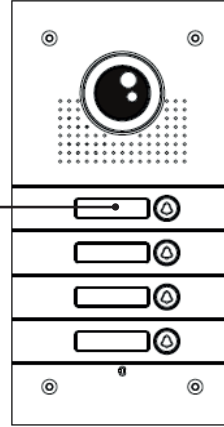


Fig. 3

Removing name tag

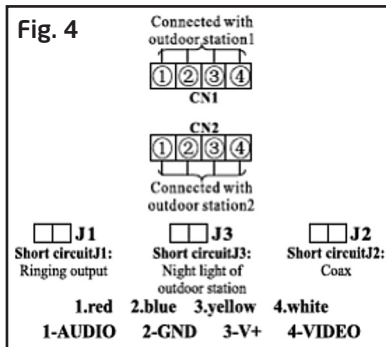
To remove name tag:

- 1) Push in name tag on the left-hand side
- 2) Slide name tag from right to left



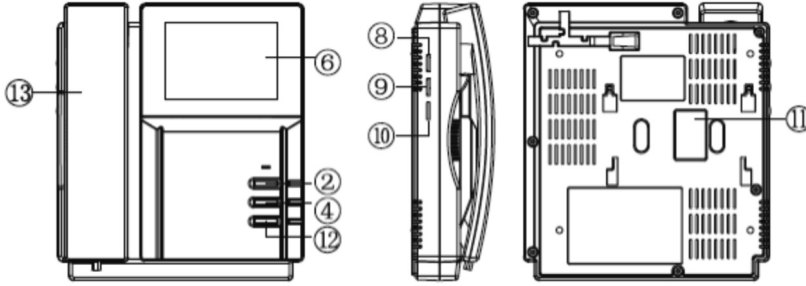
Fitting and wiring the handset

- On all types of handsets fitted to a EVVX system please remove the jumper labeled J3. This can be found next to the connecting plugs on the rear.
- Locate the metal back plate and observe the arrow and the word up.
- Fit mounting plate to the selected location, recommended mounting height 1.45m
- Feed the cable from the local transformer and the external call button through the center opening
- Connect the corresponding cores from the external call button cable to the brown plug (supplied) consisting of red, blue, yellow and white cores.
- Once connected, fit the brown plug into the rear of the handset socket CN1 for call station one and CN2 for external call station two.
- Connect the corresponding cores from the transformer to the white plug (supplied) consisting of red and black cores.
- Once connected, fit the white plug into the rear of the handset socket marked 5 (+) and 6



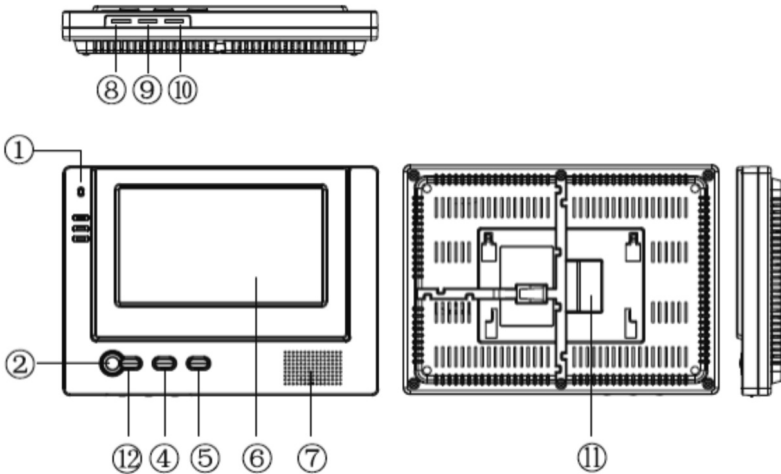
Note: J1 and J2 are not used. Remove J3 on all handsets for multiway capability.

Fig. 5



Dimension: 220x110x28(mm)

Fig. 6



Dimension: 240X175X38(mm)

| NO | Icon | Description | NO | Icon | Description |
|----|------|---------------------|----|------|-----------------|
| ① | | Microphone | ⑧ | 🔊 | Talking volume |
| ② | 📺 | Monitor | ⑨ | ☀️ | Brightness |
| ③ | 🔌 | Hang off | ⑩ | 🎨 | Chroma/contrast |
| ④ | 🔓 | Door lock releasing | ⑪ | | System terminal |
| ⑤ | 🗣️ | Talking | ⑫ | 📞 | Calling |
| ⑥ | | TFT display/CRT | ⑬ | | Receiver |
| ⑦ | | Speaker | ⑭ | | Indicated light |

Fitting the handset to the bracket

- Locate the 4 lugs on the metal back plate, one located on each corner see Fig. 7, these lugs must fit into the recesses on the rear of the hand set.
- Place the handset over the metal back plate keeping the cables flat and out of the way of the lugs.
- Slide the hand set down into position engaging the 4 lugs on the back plate into the recesses of the hand set.

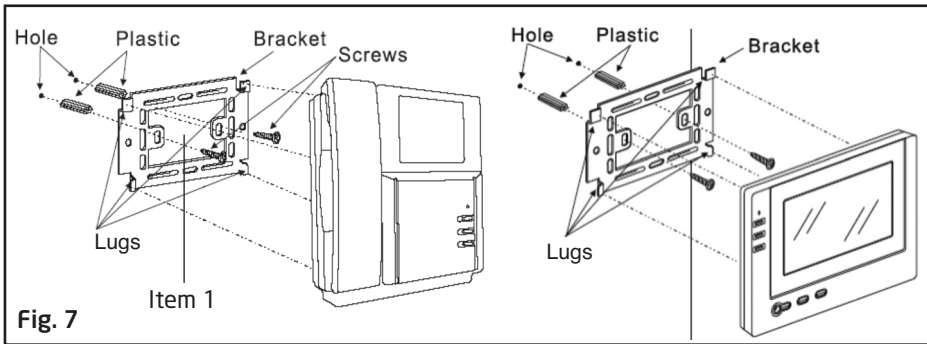


Fig. 7

Programming the Enterview VX keypad

To enter programming mode press the star key followed by the 4 digit programming pin number (the factory default programming code:1234).

Adding User Codes

- Enter programming mode.
- Enter the location 01 to 41.
- (01 to 30 are standard code locations, 31-40 are the latching code locations). If a series of beeps are heard at this point this confirms a code is stored at this location.
- Enter the desired 4 digit user code.
- When the new pin number has been accepted a 2 second confirmation tone will be heard and the code lock retunes immediately to the programming mode base level.
- A long continuous tone means this pin number is in use on the system already and cannot be used, re-enter a different location number.
- Press the * key to exit programming mode.

Deleting user codes

- Enter programming mode.
- Enter the desired location (01 to 40 to be deleted) if a series of beeps are heard at this point then the location has a code stored, you may however proceed as this is only a warning tone.

- Press the # key to delete the code from the location, a 2 second confirmation tone will be heard.
- Return to the beginning to delete more codes or press the * key to exit programming mode.

Deleting user codes from an unknown location

- Enter programming mode.
- Press the # key
- Enter the 4 digit user code to search and delete, a 2 second confirmation tone will be heard.
- Press the * key to exit programming mode.

Deleting all settings

This function should only be used in extreme circumstance as all user codes will be deleted.

- Enter programming mode.
- Press the # key once.
- Press the # key a further eight times to delete all information the LED will turn off and a tone will be heard to indicate that the delete process is taking place. You must enter all
- 9#s to complete the delete all command.

Note: this does restore factory settings of the lock release time of 5 seconds.

Setting the lock time

Factory default door open time is set at 05 seconds.

- Enter programming mode.
- Enter 00 (this selects the unlock time location).
- Enter the desired lock/relay operation time in a two digit format (01 to 99 seconds).
- The keypad will return to the programming mode base level.
- Press the * key to exit programming mode.

Changing the programming code

- Factory default pin 1234.
- Power down the outdoor station.
- Press and hold the star key.
- Keep pressing the star key and power back up
- A continuous tone will be heard for 5 seconds .
- Release the star key wait for 5 seconds .
- Enter your new 4 digit programming code you should hear the acceptance bleep and the indication light will go out.

Trouble Shooting Guide

No picture appears on the monitor (blue or white screen)

- Check that all wires are connected and connected in the correct configuration
- Check that the voltage at the back of the monitor across terminals 5 and 6. The voltage should be over 14.3vDC, if it is not then the handset will not function correctly

One or more monitors are not working but others are

- Check that all wires are connected and connected in the correct configuration
- Swap the monitor positions around. This will identify if the issue lies with the monitor or the location of the monitor. For example - monitor 1 does not work, monitor 2 does, when swapped around monitor 1 works in monitor 2's location. There is a problem with monitor 2's location (wiring problem etc)

If no monitors work

- Check that power is supplied to each monitor and that the specifications for installation have been followed correctly
- Check that all wires are connected and connected in the correct configuration
- Run a new length of short cable and connect a monitor next to the camera, this will rule out any issue with lack of voltage and/or cable run length. The PSU's supplied with each monitor must be used and the cable length from PSU to monitor must not exceed 10m

In multi apartment systems if more than one apartments monitor rings simultaneously

- Remove jumper J3 from all handsets

Please also check

- The monitor and the outdoor station connections are colour coded - ensure the colours are matched
- Connect to the CN1 terminal on the back of the handset for a single outdoor station system
- Connect to the CN2 terminal on the back of the handset if a 2nd outdoor station is used

The electro-magnetic lock (MAGLOCK) will not energise

- The electro-magnetic lock (MAGLOCK) requires 12vDC to lock. Trace the 12vDC from the lock to the power supply source and test that sufficient power is reaching the lock

If using the EVBPS

- Please ensure that the N.C switch is in position for an electro-magnetic lock release
- Please ensure that the N.O switch is in position for a Yale style lock release

The electro-magnetic lock (MAGLOCK) does not have enough holding force

- Check the voltage and ensure that the rubber washer has been fitted along with the armature, this will enable enough movement for the magnet and armature to line-up correctly as the movement allowed compensates for misalignments on the door / frame

Optional accessories for Interview VX



EVH5C-HF - Hands Free Colour Handset

- High resolution colour 7" monitor
- Door release button
- Up to 3 additional handsets per system



EVH5C - Colour Handset

- High resolution colour 4" monitor
- Door release button
- Up to 3 additional handsets per system



EVHF10W and EVHF10B - Colour handsfree 10" monitor

- High resolution colour 10" monitor
- Contemporary black or white design
- Door release button
- Two camera input



EVH5A0 - Audio only handset

- Clear high quality audio
- Door release button
- Up to two per system



EVBPS - Boxed power supply for use with lock release

- 100-240vAC, 50/60Hz input
- 1.5A /12vDC output (NO/NC selectable)
- 1A 12vDC output
- Size: 129 x 73 x 50mm LWD



EV-ML-250 - Electromagnetic Lock

- Holding force 250kg/550lbs max
- 420ma 12vdc input
- Z & L mounting bracket included
- NB. Requires EV-BPS power supply



EV-EXIT - Push to Exit Lock release button

- Stainless steel fascia
- Flush mounting (back box included)
- Push to make contacts



EV-EBG - Emergency Break Glass

- Surface mounted
- Emergency break glass to release door



ENTERD - Electromagnetic Lock

- Holding force 295kg/650lbs
- 160ma 12vdc input
- For use with Yale type rim locks
- Surface mounting version available
- NB. Requires EV-BPS power supply

Elite Security Products
 Unit 7, Target Park, Shawbank Rd
 Lakeside, Redditch B98 8YN



Telephone: 01527 515150
 email: info@espuke.com