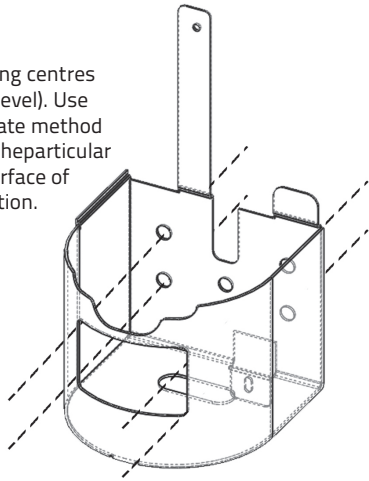


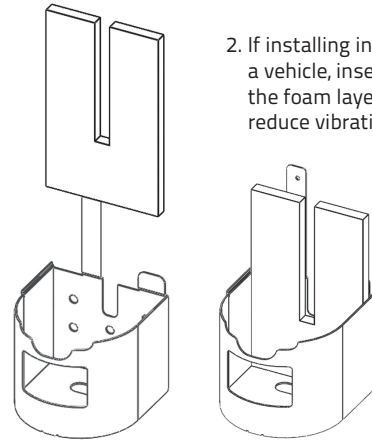
# VanCam

VANDAL RESISTANT SURVEILLANCE SYSTEM

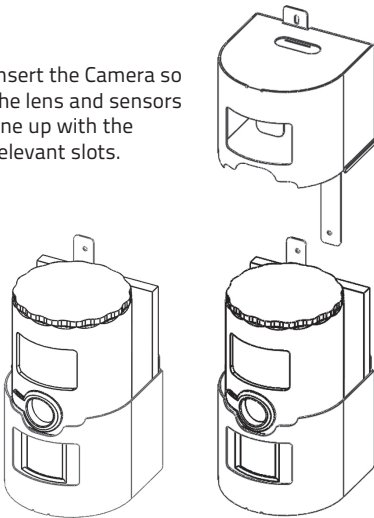
1. Mark out fixing centres (use a spirit level). Use the appropriate method of fixing for the particular mounting surface of your installation.



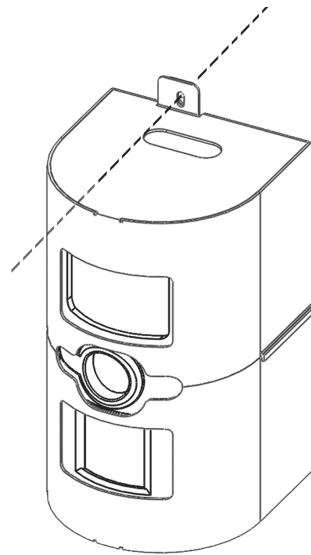
2. If installing into a vehicle, insert the foam layer to reduce vibration.



3. Insert the Camera so the lens and sensors line up with the relevant slots.



4. Using the security screws provided, secure the two tabs together.



Elite Security Products  
Unit 7, Target Park, Shawbank Rd  
Lakeside, Redditch B98 8YN



Telephone: 01527 515150  
email: info@espuk.com

[www.espuk.com](http://www.espuk.com)