

GuardCam[®] Wi-Fi

GUARDCAMLEDWIFI: COMBINED WI-FI SECURITY CAMERA LED FLOOD LIGHT SYSTEM

PRODUCT MANUAL



TABLE OF CONTENTS

Kit Content 2

Product overview. 3

Installing GuardCamLED WI-FI 5

Insert/remove Micro SD Card 7

Adjusting the Settings 8

Network set-up 10

App overview / lighting settings 12

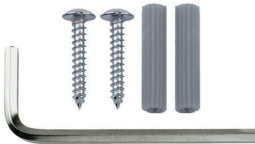
KIT CONTENT



GuardCamLED WIFI



GuardCamLED WIFI

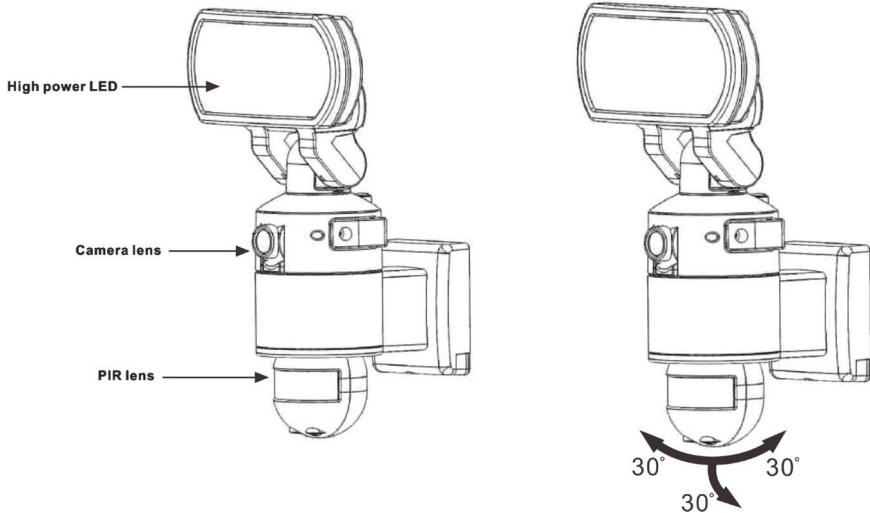


1 x Allen Key
2 x Screws
2 x Plastic Masonry Plugs



Micro SD Card
(speed class 10 required)

PRODUCT OVERVIEW



INSTALLATION TIPS

IMPORTANT

IF IN ANY DOUBT ABOUT THE INSTALLATION OF THIS PRODUCT, CONSULT A QUALIFIED ELECTRICIAN

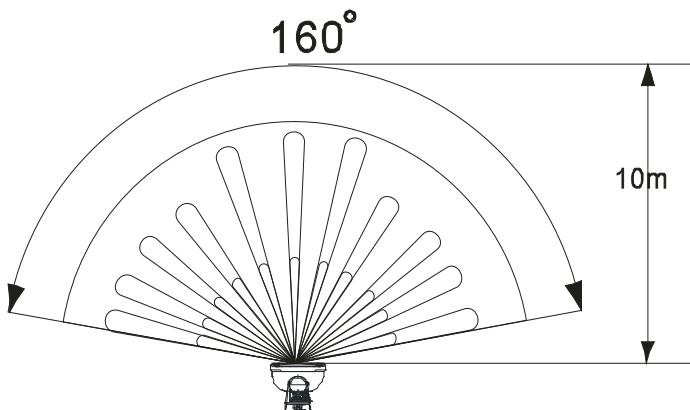
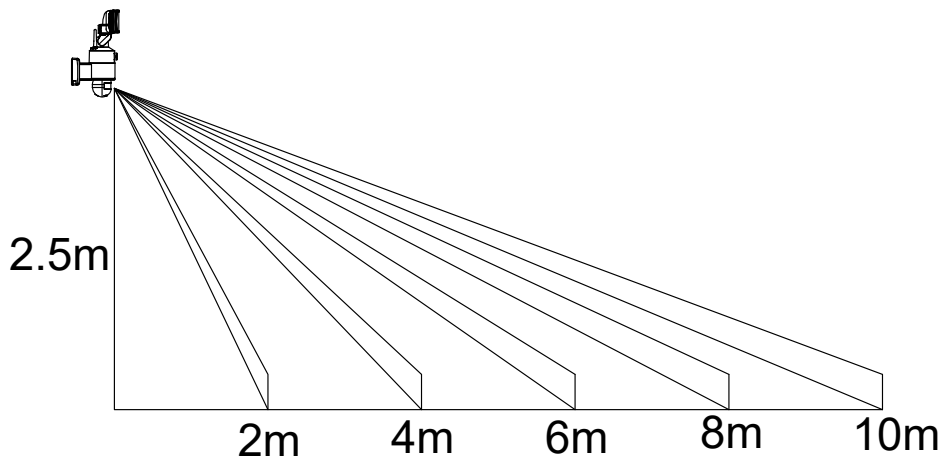
- This product must be grounded
- Do not mount the unit against inflammable surfaces
- The motion detector will not operate correctly if it is installed:
 - Near the outlet of a central heating boiler
 - Near air conditioning
 - Pointing directly at moving vehicles
 - Within sight of reflections from moving water
 - Where other lamps could shine on the detector

BEFORE ATTEMPTING ANY INSTALLATION OR MAINTENANCE, ENSURE THAT THE ELECTRICAL SUPPLY IS SWITCHED OFF AND THE CIRCUIT FUSES REMOVED OR THE CIRCUIT BREAKER IS IN THE OFF POSITION.

Please make sure the voltage and polarity are correct before connection. Incorrect voltage may cause electric shock.

Note: It is recommend to mount 2M above the ground for optimum performance, do not mount the fixture below 1.2M. See below figure for details of performance range.

Detection range: 10M x 160°



INSTALLING GUARDCAMLED WI-FI

It is strongly recommended APP & registration is complete prior to permanently fixing the installation. After APP registration, where possible temporarily power the device to check a strong Wi-Fi signal is being received at the intended installation site.

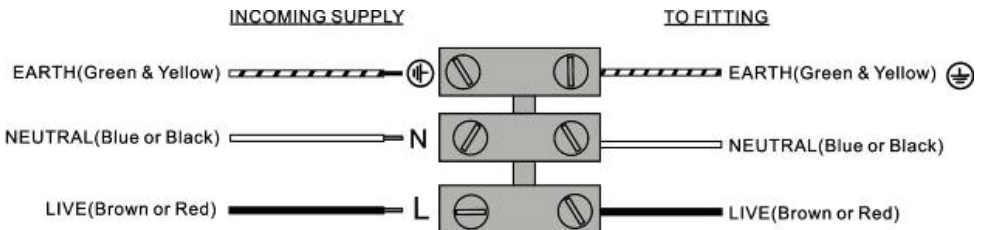
Wi-Fi devices rely on a strong and stable signal from the network. Performance and reliability of Wi-Fi devices can become unpredictable if the signal strength is not sufficient for whatever the reason.

If Wi-Fi signal is a possible issue, one solution is the numerous Wi-Fi signal enhancing devices on the market to improve a network's performance.

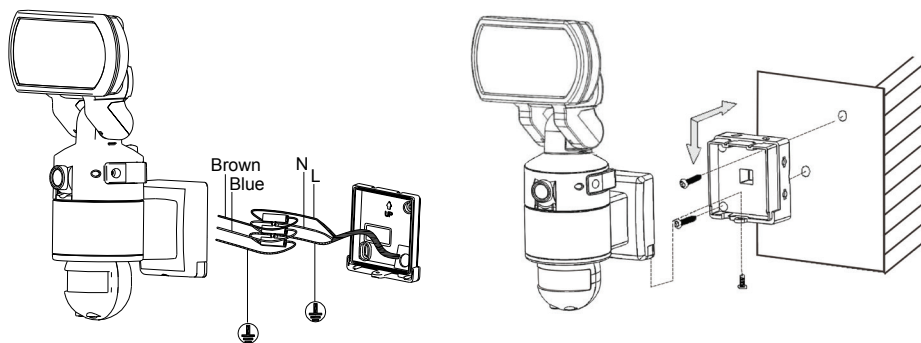
In addition, network connection for all devices (Wi-Fi or LAN) is limited by the bandwidth allowance of the network, ensure that the bandwidth is suitable for the number of devices which are being supported.

Please note; Guardcam requires 2.4GHZ Wi-Fi signal band.

1. Place plastic masonry plugs into desired surface aligning holes as shown below. Using an electric screwdriver, fasten mounting plate directly to surface using screws.
2. Feed the cable through the back mounting box and bush the cable entry to avoid abrasion to the cable.
3. Wire the unit as follows: (Ensure all wires are connected securely and that no loose strands are exposed)

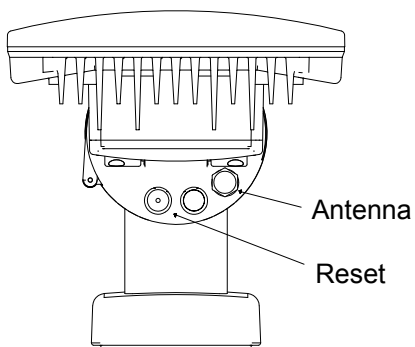


4. Make sure the polarity is correct. Double check the connections after wiring. Errors may damage the motion sensor or cause a fire hazard.
5. Attach the unit to the mounting plate. You will first need to angle the unit back so that the catch at the top of the mounting plate fits into slot on the back of the unit. Next lower the unit until holes at the bottom of the mounting plate and unit are flush. Then screw into this hole, tightening carefully.

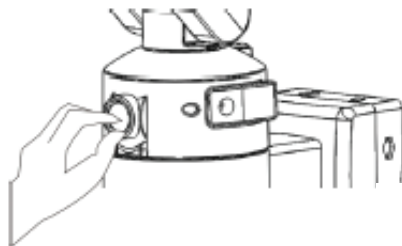


Please allow 1 minute warm-up time after switching on

* Push the RESET button located on top of the housing after switching on.

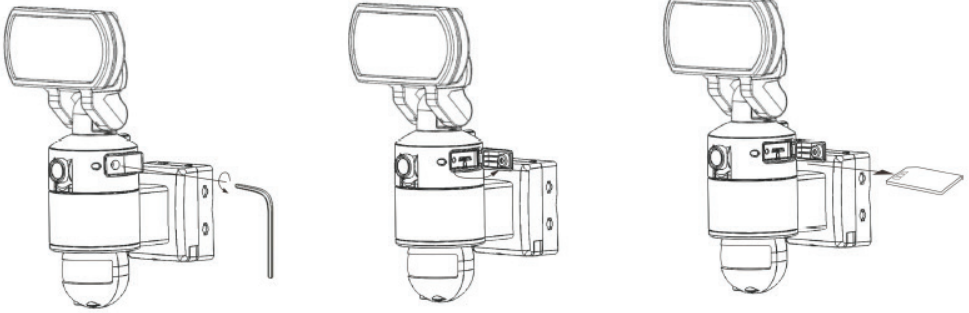


Remove plastic lens cover from camera after installation.



INSERT/REMOVE MICRO SD CARD:

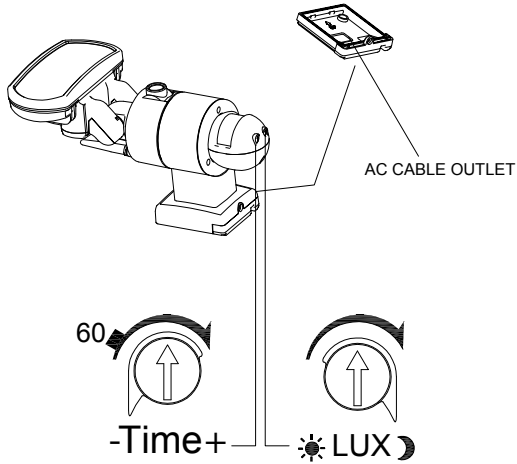
1. Unscrew the cover using provided Allen key , then insert the Micro SD card until it automatically locks into place.
2. To remove Micro SD card, please push in SD card once to eject, then pull out



ADJUSTING THE SETTINGS:

Time Control

Turn the time control to "+" side to increase the illumination time (7 minutes max.), turn the control to '-' side to reduce the illumination time (5 seconds min.).



LUX Control

Adjust the ambient light at which the PIR will activate the LED floodlight

Status LED

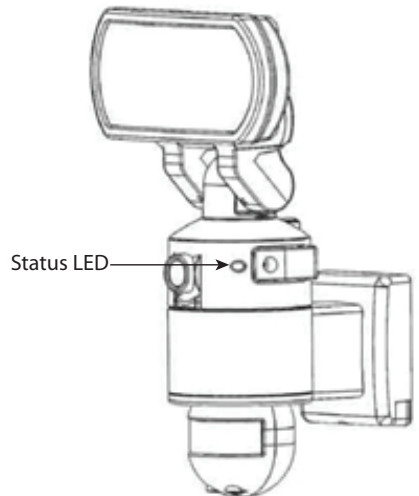
It takes 60 seconds from power up for the unit to start normal operation. The red and blue LEDs will flash twice when complete normal operation is ready.

Blue Status LED

Constant: Network connection
Slow Flash: APP live view under progress

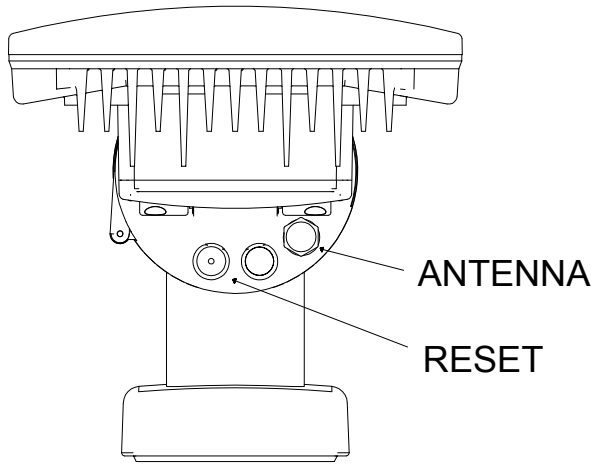
Red Status LED

Double flash: Recording session triggered
Fast Flash: Defaulting / Reset



Reset Button

Restores functions to default settings, press this button in case of system malfunction.



NETWORK SET-UP

Connect your smart phone to the Wi-Fi network that the Guardcam is to be added to. If the signal strength of your Wi-Fi router is weak, reposition the devices until this improves.

There are two main stages for network setup;

1. Connect to the 'Hotspot' of the GuardcamLED Wi-Fi
2. Enter the network details into the APP to enable the GuardcamLED Wi-Fi on the referred network. If stage 2 is not completed, the unit will be unreachable outside of the hotspot.

1. GuardcamLED Wi -Fi Set-up

At this point the unit should be in the desired location and the Wi-Fi signal strength confirmed. If the signal strength is unconfirmed it may be useful to temporarily power the unit using an extension lead before final fixing.

Power should be applied, and the warm-up period of one minute has elapsed.

Go to the Wi-Fi setting on your mobile device. Choose the Wi-Fi router with a prefix of HDxxxxxx (xxxxxx=Camera ID numbers).

Enter the default password 12345678 and save the settings.

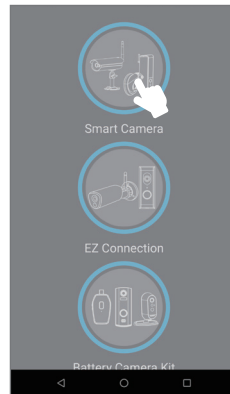
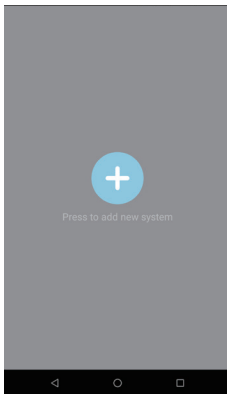
2. APP DOWNLOAD

Download and install the 'ESP SMART' APP to your device.



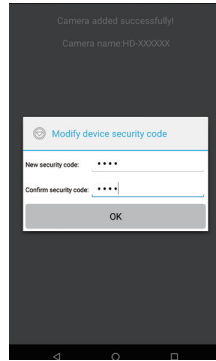
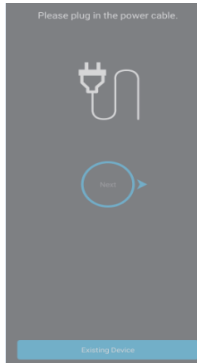
3. Android device:

3a



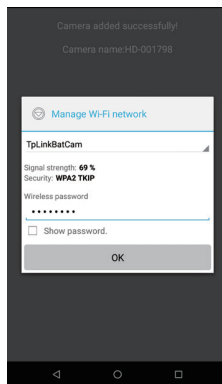
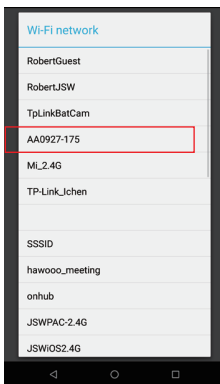
Launch the ESP Smart APP. Tap "+" and select Smart Camera.

3b



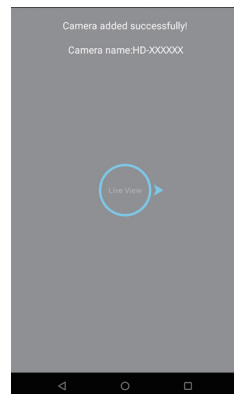
At the next screen enter a new Password/security code and remember it or write it down, Tap Wi-Fi Setting or OK.

3c



Then your Wi-Fi list will popup out, please select your home network from the menu and then enter your home network's wireless password. Tap OK

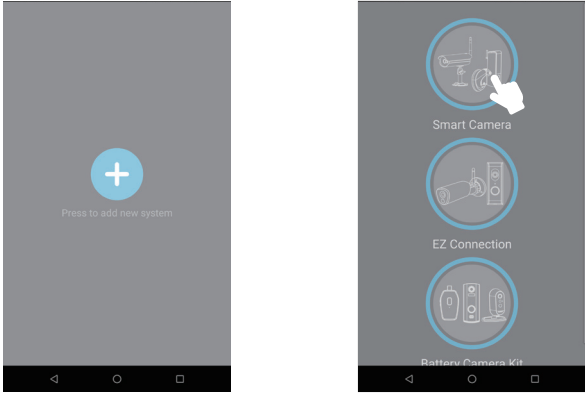
3d



Tap Live View, The camera will be off-line for around 90 seconds to reboot for the connection to establish. When the camera connects to Wi-Fi router successfully, the Blue LED will be constant

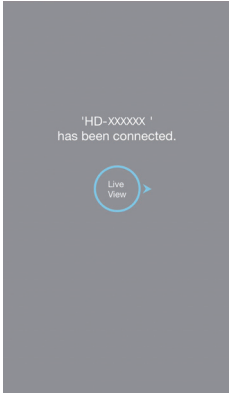
4. iOS device:

4a




Launch the ESP Smart APP. Tap "+" and select Smart Camera.

4b



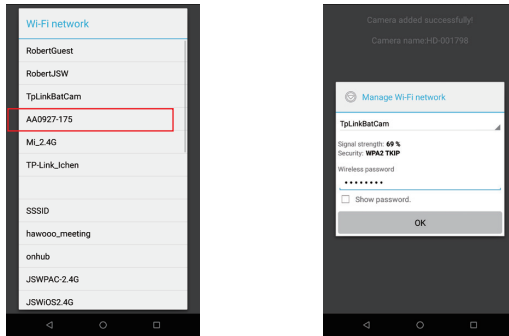
The APP will start to search, once the screen indicates the camera is connected, Tap Live view

4c



Once the camera is found, the screen will show a Live View briefly before moving to setup screen. Please enter a new Password /security code and remember it or write it down, Tap Wi-Fi Setting or OK.

4d



Then your Wi-Fi list will popup out, please select your home network from the menu and then enter your home network's wireless password Tap OK. The camera will be off-line for around 90 seconds to reboot for the connection to establish. When the camera connects to Wi-Fi router successfully, the Blue LED will be constant.

Note:

If you do not see your Wi-Fi router in the WI-FI SETTING section, please enable your router's SSID broadcasting function, which usually is the name of your HOME WI-FI NETWORK. Most of the Wi-Fi routers broadcast the Service Set Identifier (SSID) by default.

The unit can only accept SSID composed with English alphabet characters.

Non-English characters (! @#%&*) cannot be accepted.

APP Connection

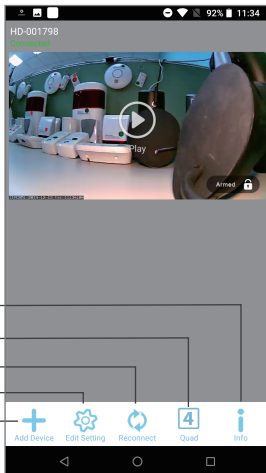
Viewing from a mobile phone relies on a strong Wi-Fi signal or ensure a strong 3G or 4G signal is available. For IOS it is recommended that the APP is left running in the background in order to benefit from the best performance. For Android, the APP must be left running in the background to receive any service from the product.

ESP are unable to guarantee that every device will be compatible with any ESP product and software supplied.

Specific models of phone, tablet or other device, the hardware it contains, the service provider, the types of data services offered and specific phone / device plan will all affect the performance of PC / mobile device for remote viewing.

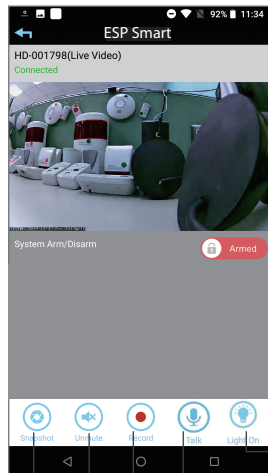
APP OVERVIEW / LIGHTING SETTINGS

Camera List






Information
 Live View
 Reconnect
 Edit Setting
 Add Camera

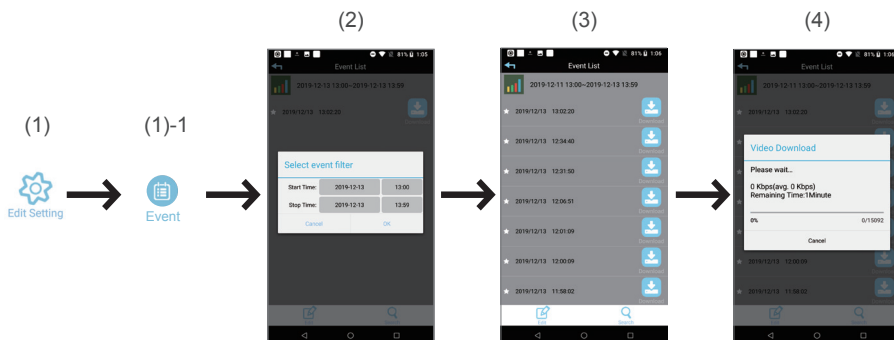
Live-View



Light On
 Talk
 Video record
 Mute/Unmute
 Snapshot

FOLLOW THE STEPS BELOW FOR EVENT PLAYBACK

1. Tap  and then the .
2. Select the time interval for the event list.
3. Tap to select the file for playback.
4. If you want to store the files in mobile device, tap  to download the file (Best while under Wi-Fi environment due to larger high definition data size).



SCAN QR CODE FOR FULL GUARDCAMLED WI-FI MANUAL
WHICH INCLUDES ADVANCED APP MENU



GuardCam^{Wi-Fi}[®]

CE

Elite Security Products

Unit 7, Target Park, Shawbank Rd
Lakeside, Redditch B98 8YN



Telephone: 01527 51 51 50

Fax: 01527 51 51 43

email: info@espuk.com

E&OE - Errors and omissions excepted. A19

www.espuk.com