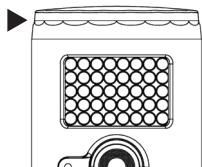
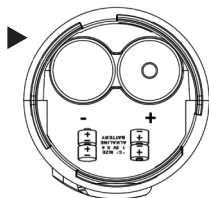


## 1 Insert batteries

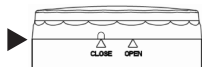
- Unscrew the top lid of the CanCam to access the battery compartment



- Install 4 "C" cell batteries with the correct polarity (+/-) as indicated in the battery compartment

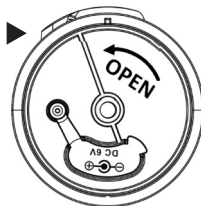


- Screw the lid back on using the guidance notch on the lid to secure correctly

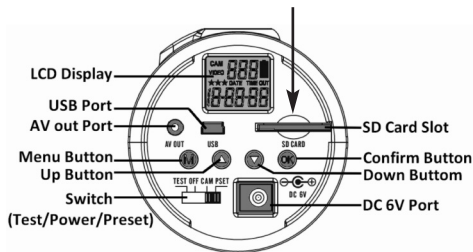


## 2 Load SD Card

- Unscrew the bottom of the CanCam to access the LCD, ports and controls



- Insert the SD card into the SD card slot



## 3 Set the time and date

- Turn the switch to CAM to adjust the time and date setting



- After the initial test display, the internal LCD screen will display a blinking 'T' and the default time



- Press the [OK] button to start the time settings



- Press the [UP] or [DN] button to adjust the Minute setting and press [OK] to confirm



- Press the [UP] or [DN] button to adjust the Hour setting press [OK] to confirm

- The next display shows the default date



- Adjust the Month using [UP] or [DN] button and press [OK]



- Adjust the Day using [UP] or [DN] button and press [OK]

- Adjust the Year using [UP] or [DN] button and press [OK]

- Once complete, the word -dEL- will flash, this allows the SD Card to format

- Press [OK] then press [DN] and press [OK]. SD card is now formatted



- Press the [M] button to exit time and date setting

## 4 Record mode

In this mode the CanCam will record when the PIR is triggered by movement

- Turn the switch on the base of the CanCam to CAM



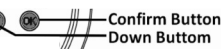
- Press the [M] button within 30 seconds to enter the menu



- Use the [Up] and [DOWN] button until PIR is flashing on the LCD screen and Press [OK]



- Press the [Up] and [Down] buttons to navigate through the menu options.



- The next screen will display the camera's capture type. Still image type is selected as default, this is displayed as 'CAM' on the LCD. Press [OK]



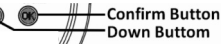
- The next option is image resolution/quality denoted by the number of stars



- To adjust the default value Press [OK] then [UP] or [DN] to adjust the image resolution;

- ★★★ 8Mp resolution
- ★★ 5Mp resolution
- ★ 3Mp resolution

- Press the [Up] and [Down] buttons to navigate through the menu options.



- Press [OK] to confirm selection

- The next option is 'Burst Mode'. This option shows how many images are to be taken when the PIR is triggered, the option is between 1-9 images



- To adjust the default value Press [OK] then Press [UP] or [DN] to change value

- Press [OK] to confirm selection

- The final option is the 'Time Out' setting. This programs a period of time between possible PIR triggers



- Press the [Up] and [Down] buttons to navigate through the menu options.

- To adjust the default value Press [OK] then Press [UP] or [DN] to increase or decrease the minute value and pressing [OK] to confirm

- Adjust the seconds interval using [UP] or [DN] then pressing [OK] to confirm

- The screen will then return to the time / date setting screen



- Press [OK]

- Press the [M] button to exit.

After 30 seconds warm up time the unit will then flash the laser beam for a further 45 seconds to assist in the installation

**⚠ Please avoid laser beam pointing at your eyes**

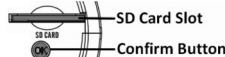
After this period has elapsed the LCD will display a counter of how many files have been created on the SD card.

## 5 Viewing files

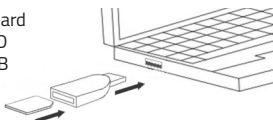
- Turn the switch on the base of the CanCam to OFF



- Press down on the SD card to eject



- Insert SD card into SD card reader and insert the SD card reader into the USB socket of a PC/Laptop



- On a Windows PC/Laptop find and open the option for 'My Computer'

- Find and open 'Removable Disk'

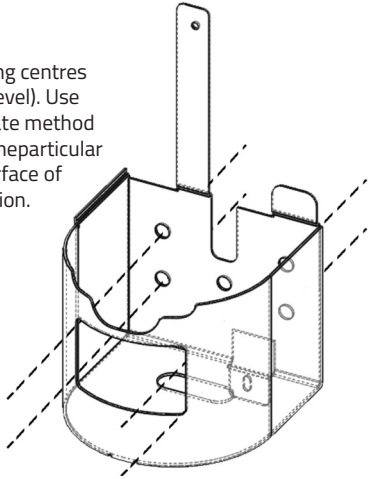


- This will show the contents of the SD card, click on a file to view content

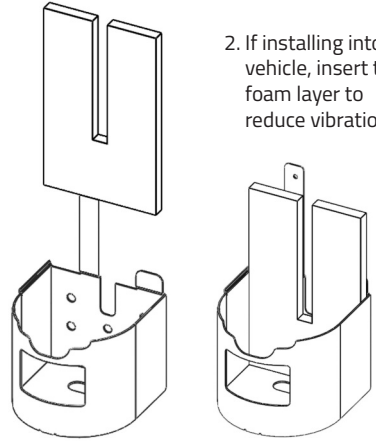
# CanCam VR

## VANDAL RESISTANT SURVEILLANCE SYSTEM

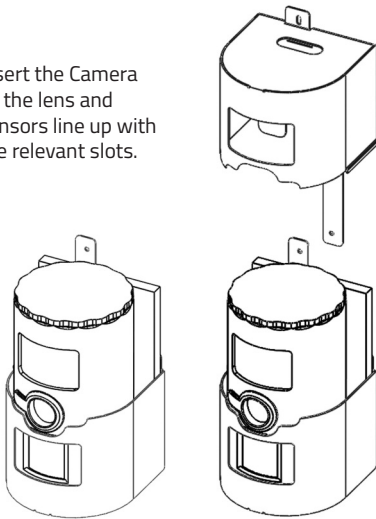
1. Mark out fixing centres (use a spirit level). Use the appropriate method of fixing for the particular mounting surface of your installation.



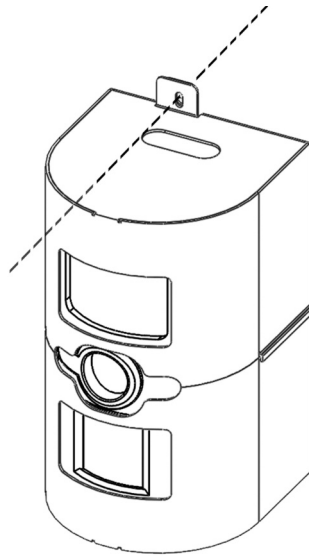
2. If installing into a vehicle, insert the foam layer to reduce vibration.



3. Insert the Camera so the lens and sensors line up with the relevant slots.



4. Using the security screws provided, secure the two tabs together.



### Elite Security Products

Unit 7, Target Park, Shawbank Rd  
Lakeside, Redditch B98 8YN



Telephone: 01527 515150

email: [info@espuk.com](mailto:info@espuk.com)