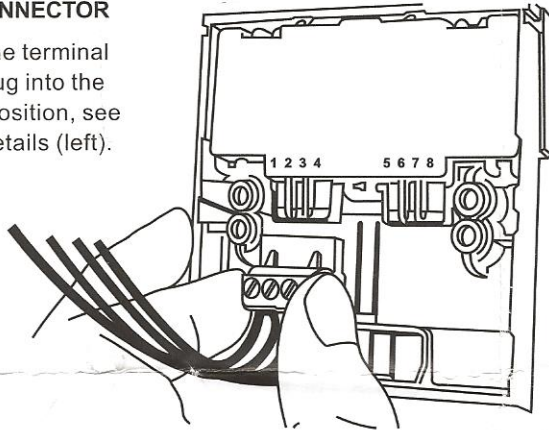


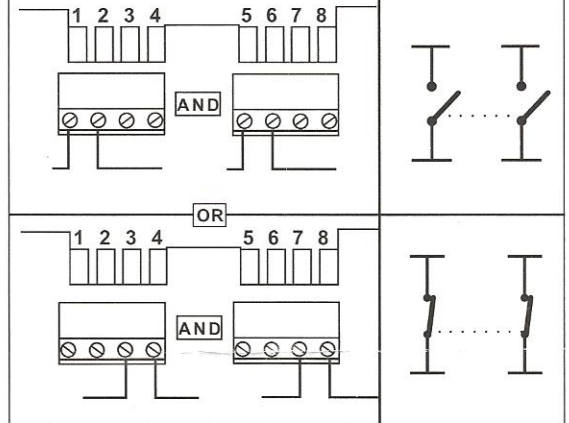
# INSTALLATION INSTRUCTIONS FOR THE MANUAL CALL POINT

## PUSH FIT CONNECTOR

After wiring the terminal connector, plug into the appropriate position, see connection details (left).



## CONNECTION DETAILS



## TECHNICAL DATA



30VDC Max



-30° C to 70° C



**Important Notes:**  
Please do not over tighten fixing screws. The use of lubricants, cleaning solvents or petroleum based products should be avoided.



2A Max



Red, Ral 3001  
Yellow, Ral 1006  
Green, Ral 6016  
White, Ral 9010  
Blue, Ral 5002

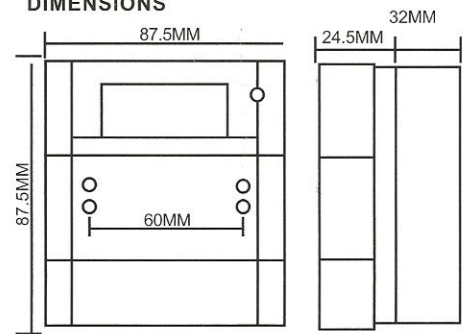


IP24D



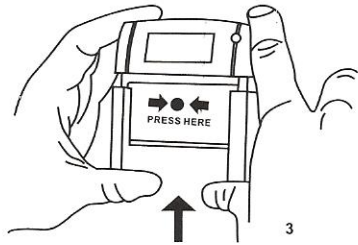
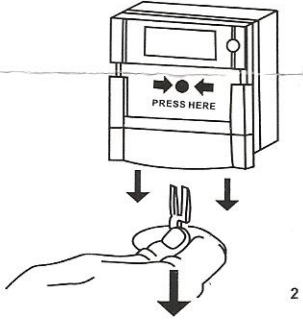
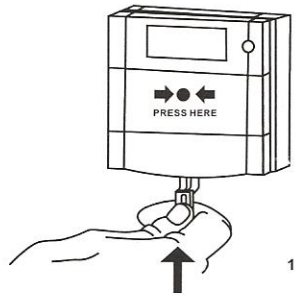
110/160g

## DIMENSIONS



# INSTALLATION INSTRUCTIONS FOR THE MANUAL CALL POINT

TO TEST / TO RESET



TO REPLACE GLASS / RESETTABLE ELEMENT

