



EZTAG3 | PROXIMITY AND KEYPAD DOOR ENTRY

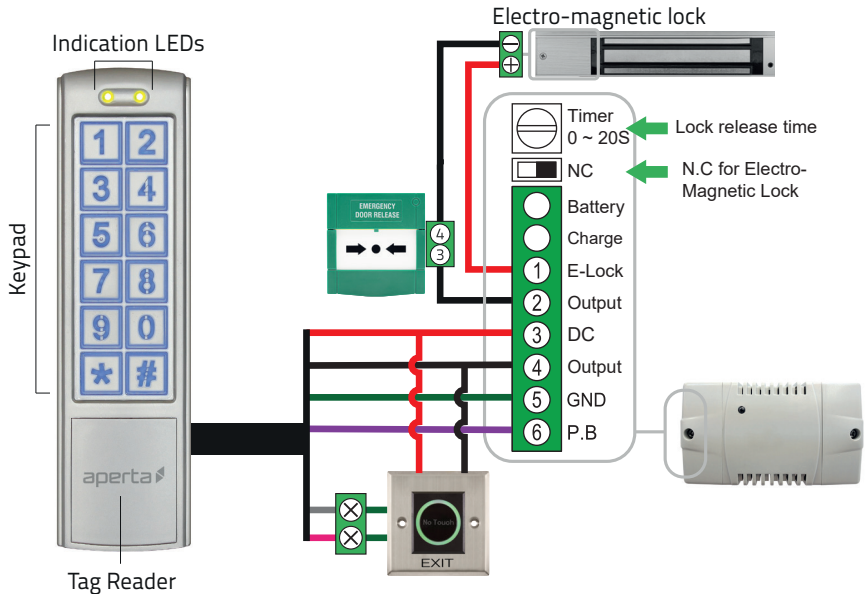
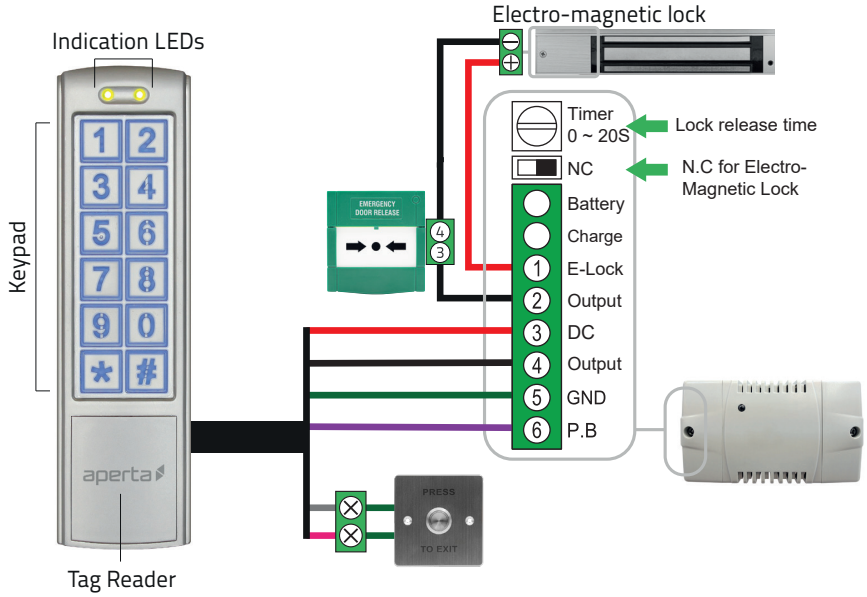
Quick Start Guide for:

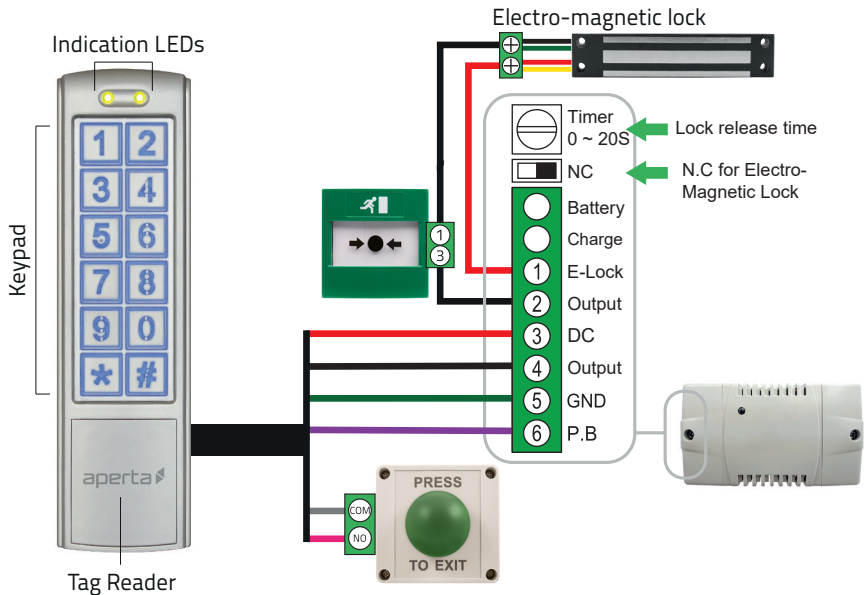
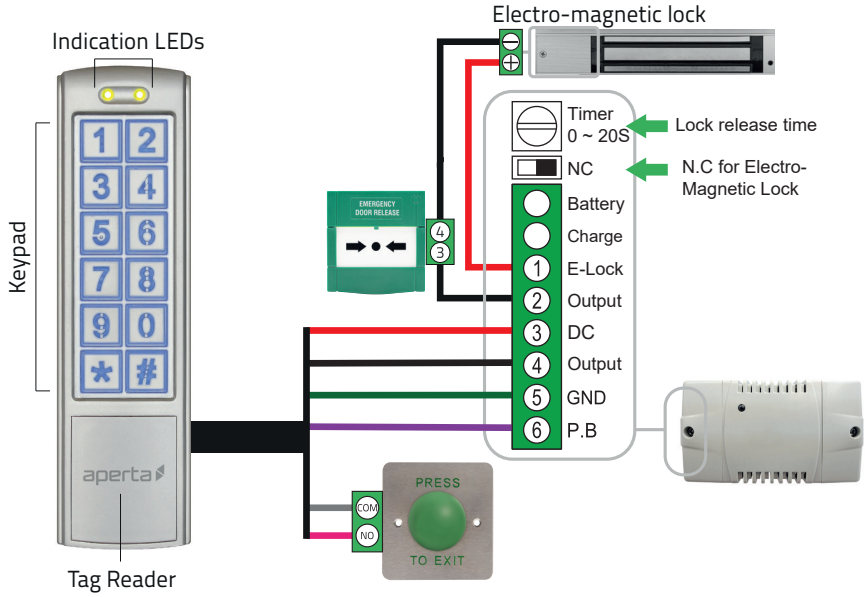
EZT3K
EZT3KM
EZT3KC
EZT3KXT



The latest product manuals and software is available online:
https://www.espuke.com/technical_support







aperta® | Setting Access PIN

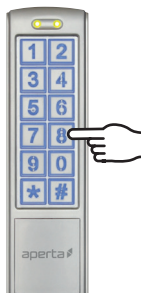
Step Number	Action	Keypad Indication
1	1 2 3 4 1 2 3 4	Long Tone
2	* 2	
3	0 2	Long Tone
4	0 0 0	Double Tone
5	? ? ? ? Enter a 4 digit PIN (1234 is not to be used)	Long Tone
6	# # To end programming	

aperta® | Registering 10 Tags

Step Number	Action	Keypad Indication
1	1 2 3 4 1 2 3 4	Long Tone
2	* 9	
3	0 5	Long Tone
4	0 0 1	Long Tone
5	0 1 0	Tone
6	Present the tag with the lowest serial number	Tone
7	All other batch tags will auto register # # To end programming	

aperta® | Release Lock

A) Enter a programmed Access PIN



A) Present a registered tag

