

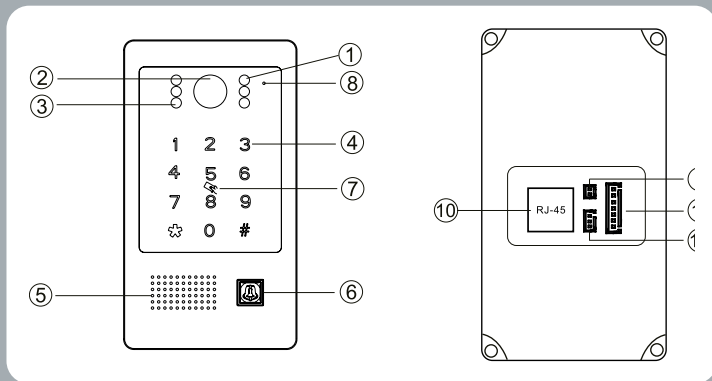
A1IPVDS

Full Manual

Aperta IP PoE Single Way Outdoor Station IP65 HD
with Proximity Reader



1. Appearance Introduction



1	White Light LED
2	Camera
3	Photo Resistor
4	Digit Button
5	Speaker
6	Call Button
7	RFID Area
8	Microphone
9	DC Input
10	PoE Interface
11	Lock Control Integrated Interface (J1)
12	RS 485 Interface (J3)

2. Parameters

Camera Sensor:

Camera sensor automatically switches between day and night modes

Viewing Angle:

(Horizontal) 110°

Resolution:

1.0MP HD

LED Night Vision:

White Light LED (120°)

Operating Voltage:

Input DC: +12V to +15V, 48-52V PoE (IEEE802.3af)

Operating Current:

Standby: <150mA @DC15V, 2.25W
Operating: <300mA @DC15V, 4.5W

Operating Environment

Ambient Temperature: -20°C to 50 °C
Relative Humidity: ≤95%

No.	Location	Definition	Colour	Function
J1	1	NO12V+	Red	Constant DC12V (+)
	2	NC	Orange	Normally Closed
	3	COM	Green	Common
	4	NO	Yellow	Normally Open
	5	CTL	Brown	Exit button
	6	DET	White	Door Sensor
	7	GND	Black	Ground (-)

No.	Location	Definition	Function
J3	1	RS 485B	485B Data
	2	RS 486A	485A Data
	3	GND	Ground

3. Function Introduction

This product features that includes;

- PIN Code
- RFID Card/Fobs (13.56MHz)
- Door Entry
- Video & Audio Intercom

1. This product utilises both RFID and PIN Code unlock functions. In this manual, the Digital Keypad will be used for any and all administrator Mode operations). The RFID card(s) will be used for managing any and all User Card/Fob Operations
2. The white light LEDs and backlight LEDs contain a light sensing function. In day light conditions the white light LEDs & backlight LEDs will not illuminate. In night conditions both the white light LEDs & backlight LEDs will illuminate.

4. Administator Operations

4.1 Default Settings:

Default Administrator Passcode is 666666.
Default Public Unlock Passcode is 123456.
The default door opening method is RFID.
The default unlock time is 2 seconds.
Safe mode is turned off by default.
The public unlock passcode is enabled by default

4.2 Entering Administator Mode

* [ADMINISTRATOR PIN] #

When in Administration mode, press *, then type in the administration passcode, followed by #.

If the A1IPVDS bleeps twice & the call button flashes slowly, this means it has been entered successfully.

If Administration mode is not successfully entered; the A1IPVDS will bleep 4 times.

If a timeout of 30 seconds occur the A1IPVDS will bleep 3 times, meaning the A1IPVDS has exited administration mode.

*Press * during any of the following settings will return to the previous level or will exit out of the Administration Mode.*

4.2.1 Modify Administration Passcode, Public Unlock Passcode & how to reset the A1IPVDS

4.2.1.1 Public Unlock Passcode

0 11 # [New Unlock Passcode] # [Confirm New Unlock Passcode] #

When in Administration mode, press 0 (the call button will start to rapidly flash), then press 11 #, followed by the desired 6 digit Passcode and then #. You will then reenter the desired 6 digit passcode to confirm the passcode and finally press # to end to sequence.

If the A1IPVDS bleeps twice, this means it has been set successfully.

4.2.1.2 How to use the Public Unlock Passcode

Type in the Public Unlock Passcode and press #.

EX. 123456#

4.2.1.3 Adminstrator Passcode

0 77 # [New Admin Passcode] # [Confirm New Admin Passcode] #

When in Administration mode, press 0 (the call button will start to rapidly flash), then press 77 #, followed by the desired 6 digit Passcode and then #. You will then reenter the desired 6 digit passcode to confirm the passcode and finally press # to end to sequence.

If the A1IPVDS bleeps twice, this means it has been set successfully.

4.2.1.4 Reset

There are 2 ways to reset an A1IPVDS back to factory defaults;

4.2.1.4.1 Using the Keypad

When in Administration Mode, press 0 (the call button will rapidly flash), followed by 99 # (the A1IPVDS will bleep once), and the A1IPVDS will be restored to factory default.

4.2.1.4.2 Using the Call button

When in standby, press and hold the call button for 60 seconds, until the A1IPVDS bleeps and it reboots. The A1IPVDS will be restored to factory defaults.

4.2.2 Setup Unlock Mode

4.2.2.1 Card Only Unlock

3 00 #

When in Administration Mode, press 3 (the call button will rapidly flash), followed by 00 #, the A1IPVDS will beep twice to confirm Card Only Unlock has been set.

4.2.2.2 Card or Passcode Unlock

3 01 #

When in Administration Mode, press 3 (the call button will rapidly flash), followed by 01 #, the A1IPVDS will beep twice to confirm Card or Passcode Unlock has been set.

4.2.2.3 Card and Passcode Unlock

3 02 #

When in Administration Mode, press 3 (the call button will rapidly flash), followed by 02 #, the A1IPVDS will beep twice to confirm Card and Passcode Unlock has been set.

4.2.3 Adjusting the Unlock Time of Relay

4 XYZ #

When in Administration Mode, press 4 (the call button will rapidly flash), followed by the time you want to set as a 3 digit format and then press #, the A1IPVDS will beep twice to confirm the unlock time has been set.

4.2.3.1 Example 1; 2 Second Unlock Time

When in Administration Mode, press 4 (the call button will rapidly flash), followed by 002 #, the A1IPVDS will beep twice to confirm the Unlock time has been set to 2 Seconds.

4.2.3.2 Example 2; Latching Unlock Time

When in Administration Mode, press 4 (the call button will rapidly flash), followed by 000 #, the A1IPVDS will beep twice to confirm the Unlock time has been set to latching Mode.

4.2.4 Safety Mode Setup

4.2.4.1 Turn off Safety Mode

5 00 #

When in Administration Mode, press 5 (the call button will rapidly flash), followed by 00 #, the A1IPVDS will beep twice to confirm that Safety Mode has been turned off.

4.2.4.2 Locked Safety Mode

5 01 #

Locked Safety Mode works by if within a 5 minute period that if an incorrect and/or passcode is entered 10 times, the A1IPVDS will be locked, and the A1IPVDS's internal buzzer will sound for 1 minute, with the call light flashing, and the indoor monitor will start monitoring.

When in Administration Mode, press 5 (the call button will rapidly flash), followed by 01 #, the A1IPVDS will beep twice to confirm that Safety Mode has been turned off.

4.2.4.3 Alarm Safety Mode

5 02 #

Alarm Safety Mode works by if within a 5 minute period that if an incorrect and/or passcode is entered 10 times, the A1IPVDS's internal buzzer will sound for 1 minute, with the call light flashing, and the indoor monitor will start monitoring.

When in Administration Mode, press 5 (the call button will rapidly flash), followed by 01 #, the A1IPVDS will beep twice to confirm that Safety Mode has been turned off.

4.2.5 Public Unlock Password Enablement

4.2.5.1 Disabling the Public Unlock Passcode

6 00 #

When in Administration Mode, press 6 (the call button will rapidly flash), followed by 00 #, the A1IPVDS will beep twice to confirm that the Public Unlock Passcode has been turned off.

4.2.5.2 Enabling the Public Unlock Passcode

6 01 #

When in Administration Mode, press 6 (the call button will rapidly flash), followed by 01 #, the A1IPVDS will beep twice to confirm that the Public Unlock Passcode has been turned on.

4.2.6 Add a Master Card

Only 2 master cards can be hosted on a single A1IPVDS, these 2 master cards can be used to unlock the door just like a user card can.

7 #

When in Administration Mode, press 7 (the call button will rapidly flash), followed by #, the A1IPVDS will beep twice to confirm that it is in master card adding mode.

You will then present 2 cards, which the first card will become the Master Add card, and the second the Master Delete card (and the A1IPVDS will beep twice for each successfully added card) ,and finally the A1IPVDS will exit from Administration mode automatically.

5. Managing User Card(s)

With each A1IPVDS's comes a factory set 3 add cards & 3 remove cards. If a user was to lose these, only one of each can then be set. For adding new master cards please refer to **3.2.6**

1. *Master Card(s) cannot be deleted, it can only be replaced by a new master card*
2. *Master Card(s) and User Card(s) set on one A1IPVDS cannot unlock other A1IPVDS's unless those same cards are programmed onto the other desired A1IPVDS's*

5.1 Adding User Cards

When in Standby Mode, swipe the Add Master card 3 times within 15 seconds, the call button will rapidly flash to indicate that the add user mode has been entered successfully.

Swipe the unregistered card in the RFID read area, when the A1IPVDS beep twice, this means this card has been added successfully.

Once all desired user cards have been added, swipe the Master Add Card to exit (The call button will stop flashing, and will now return to the standard operation of constant illumination). If there are no operations after a 30 second period, it will automatically exit.

5.2 Delete User Cards

5.2.1 Part Delete

When in Standby Mode, swipe the Delete Master card 3 times within 15 seconds, the call button will rapidly flash to indicate that the delete user mode has been entered successfully.

Swipe the unregistered card in the RFID read area, when the A1IPVDS beep twice, this means this card has been deleted successfully.

Once all desired user cards have been deleted, swipe the Master Delete Card to exit (The call button will stop flashing, and will now return to the standard operation of constant illumination). If there are no operations after a 30 second period, it will automatically exit.

5.2.2 Full Delete

When in Standby Mode, swipe the Delete Master card 3 times within 15 seconds, the call button will rapidly flash to indicate that the delete user mode has been entered successfully.

Swipe the Add Master Card in the RFID read area, the A1IPVDS will beep 7 times and return to standby mode.

6. User Operations

6.1 Modify User Passcode by Card

* [Present User Card] [Current User Passcode] # [New User Passcode] # [New User Passcode] #

Note: Default User Passcode is 0000, and cannot be used to unlock the door. This Passcode must be modified to use the User Passcode

When in Standby Mode, press *, swipe the desired User card that you want to change the user code for, type in the current User Code (default is 0000), press #, then type in the new desired 4 digit Passcode press #, and then reenter this same 4 digit Passcode and finally press #. The A1IPVDS will beep once to indicate the User Passcode has been successfully modified.

6.2 User RFID Card Unlock

Present Valid RFID User/Master Card

Note: section 3.2.2.1 needs enabling for this mode to operate.

In Standby Mode swipe a valid registered card at the RFID area, the output relays for door locks will switch, and the A1IPVDS will say "The door is open, please come in".

6.3 RFID Card or User Passcode Unlock

Note: section 3.2.2.2 needs enabling for this mode to operate.

6.3.1 Unlocking via RFID Card

Present Valid RFID User/Master Card

In Standby Mode swipe a valid registered card at the RFID area, the output relays for door locks will switch, and the A1IPVDS will say "The door is open, please come in".

6.3.2 Unlocking via Passcode

[4 Digit Passcode] #

In Standby Mode type in the 4 digit Passcode and press #, the output relays for door locks will switch, and the A1IPVDS will say "The door is open, please come in".

6.4 RFID Card And User Passcode Unlock

[Present Valid RFID User/Master Card] [Input 4 Digit Passcode] #

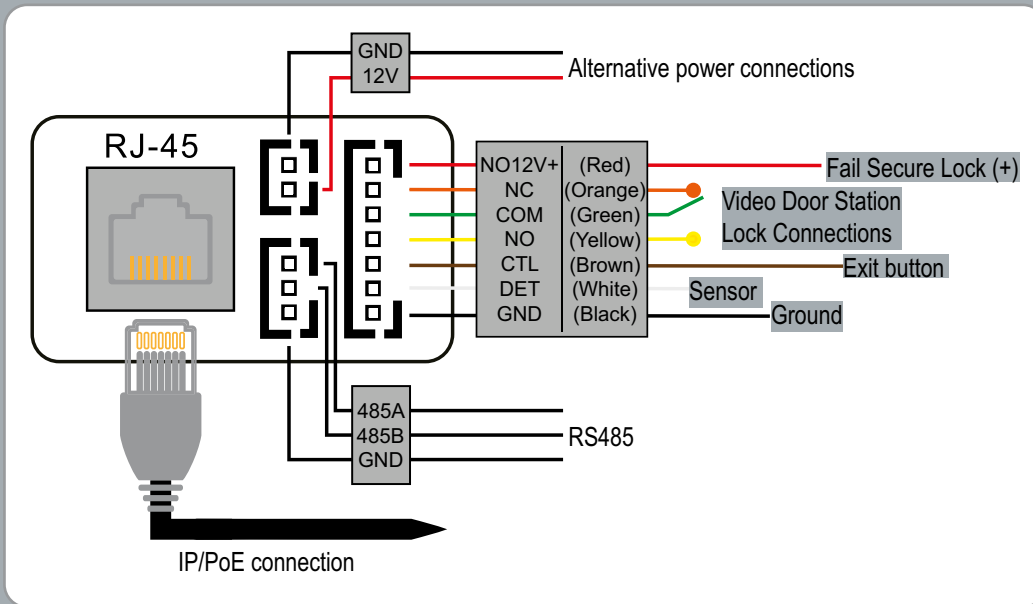
Note: section 3.2.2.3 needs enabling for this mode to operate.

In Standby Mode swipe a valid registered card at the RFID area and then type in the 4 Digit User Passcode and press #, the output relays for door locks will switch, and the A1IPVDS will say "The door is open, please come in".

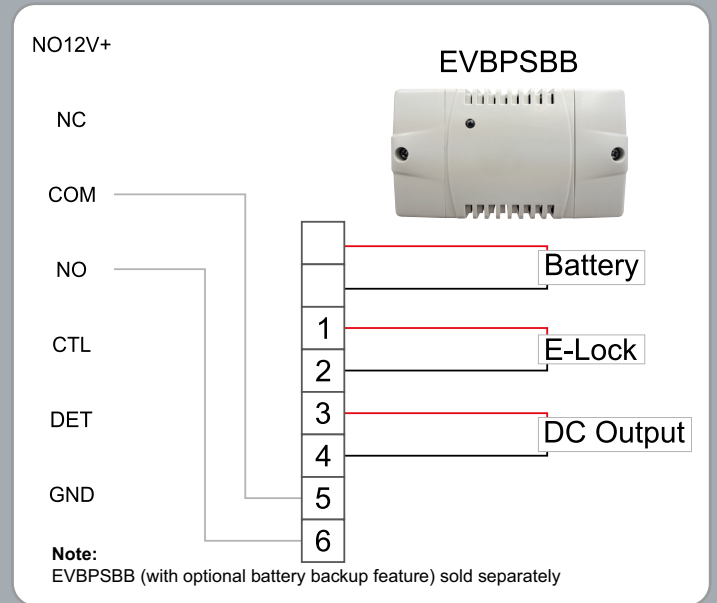
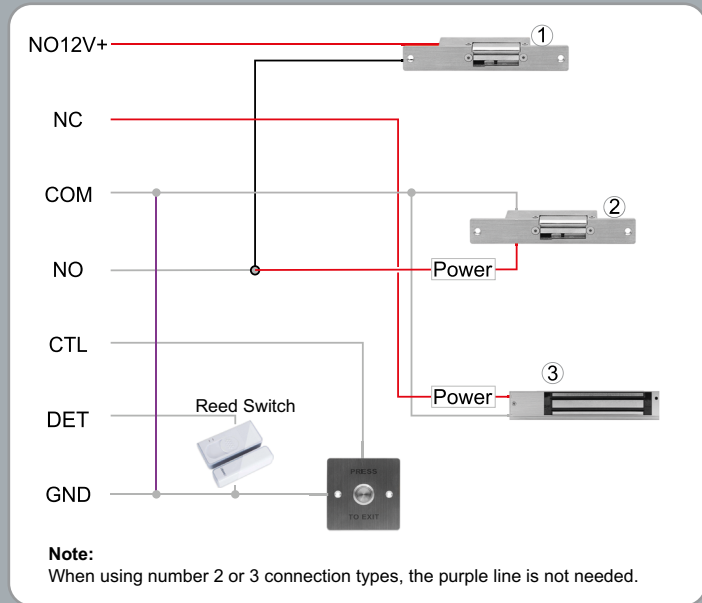
7. Wiring Diagrams

Connection Diagrams

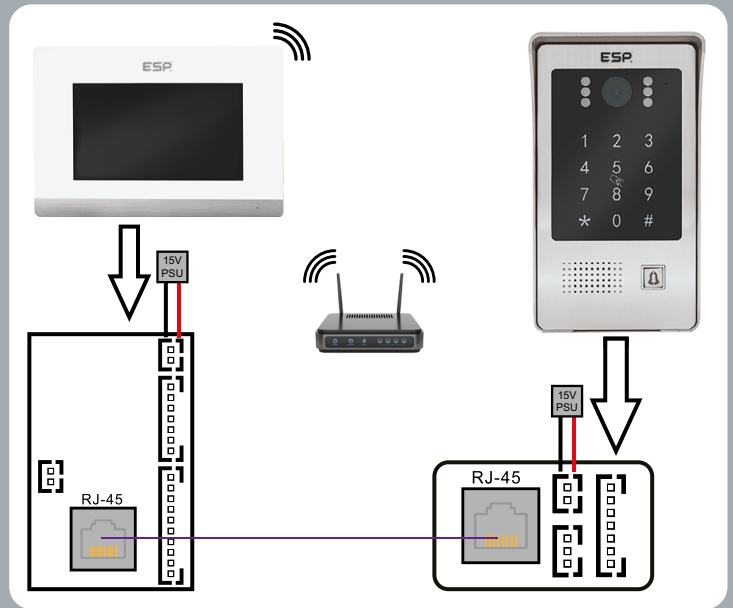
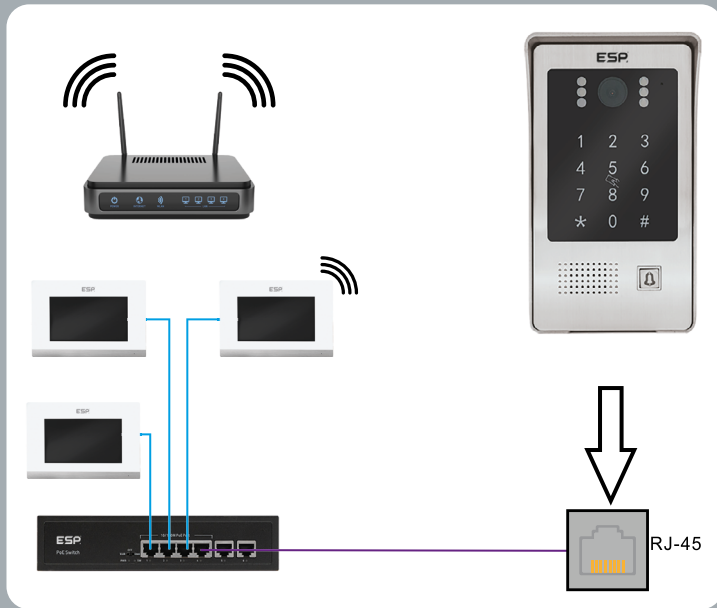
A1IPVDS Connections Diagram



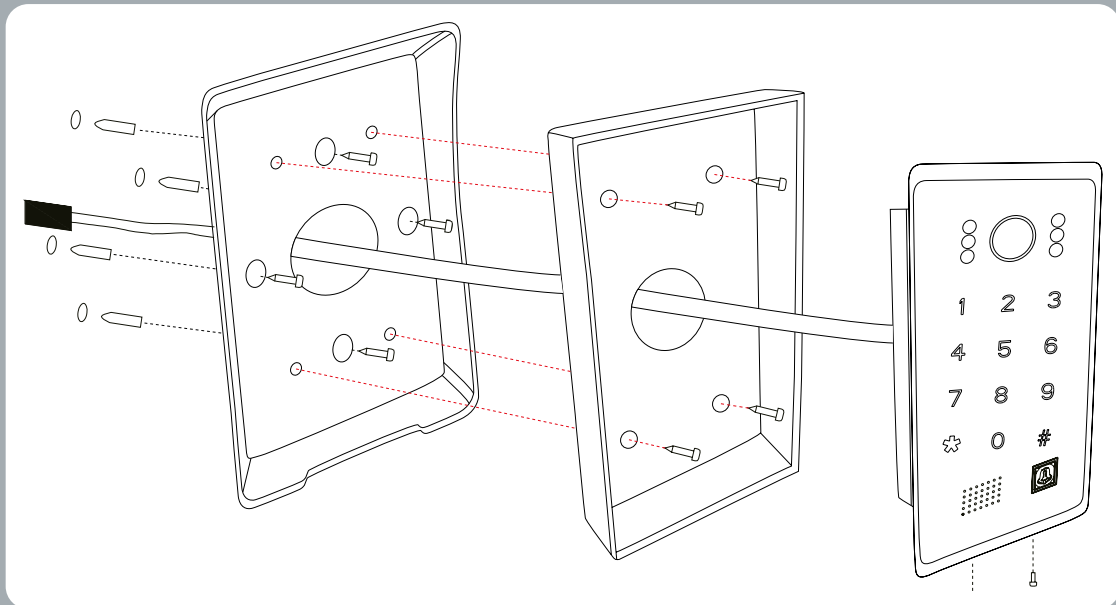
Lock Connections



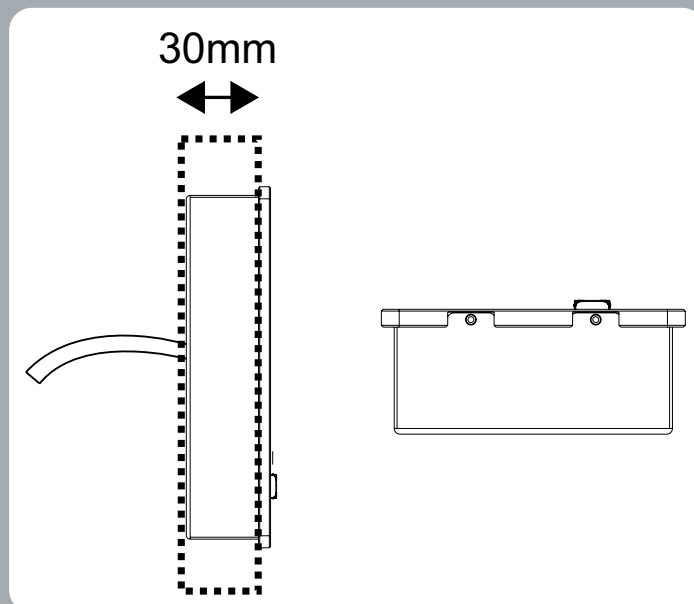
System Wiring Diagrams



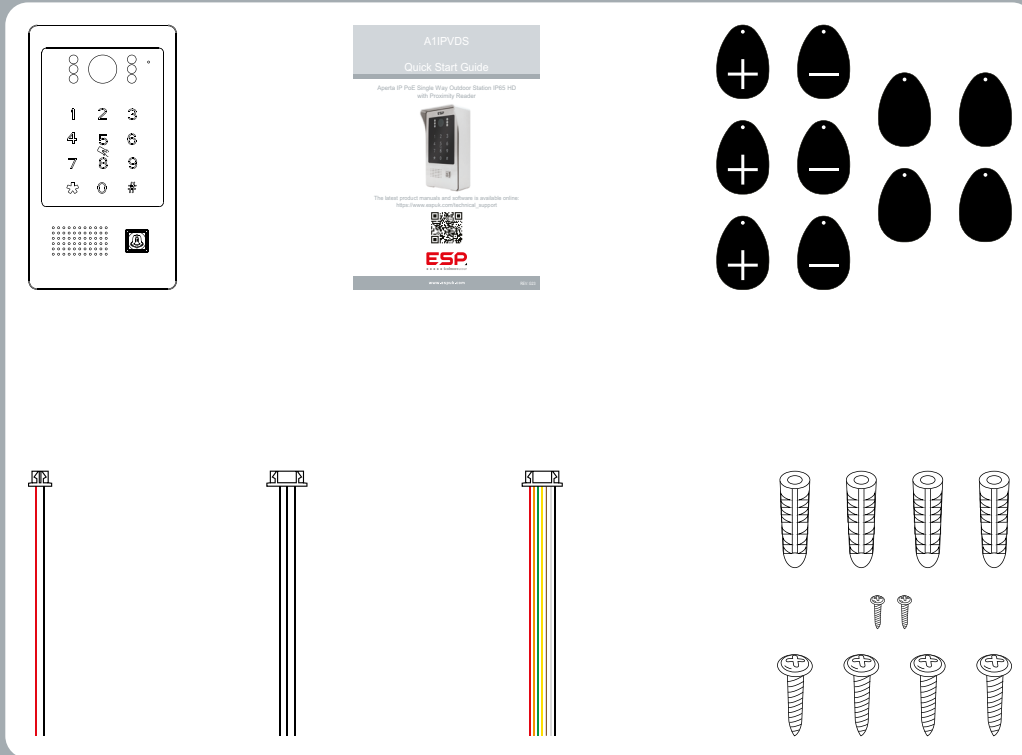
Installation Diagrams



Flush Mounting Dimensions

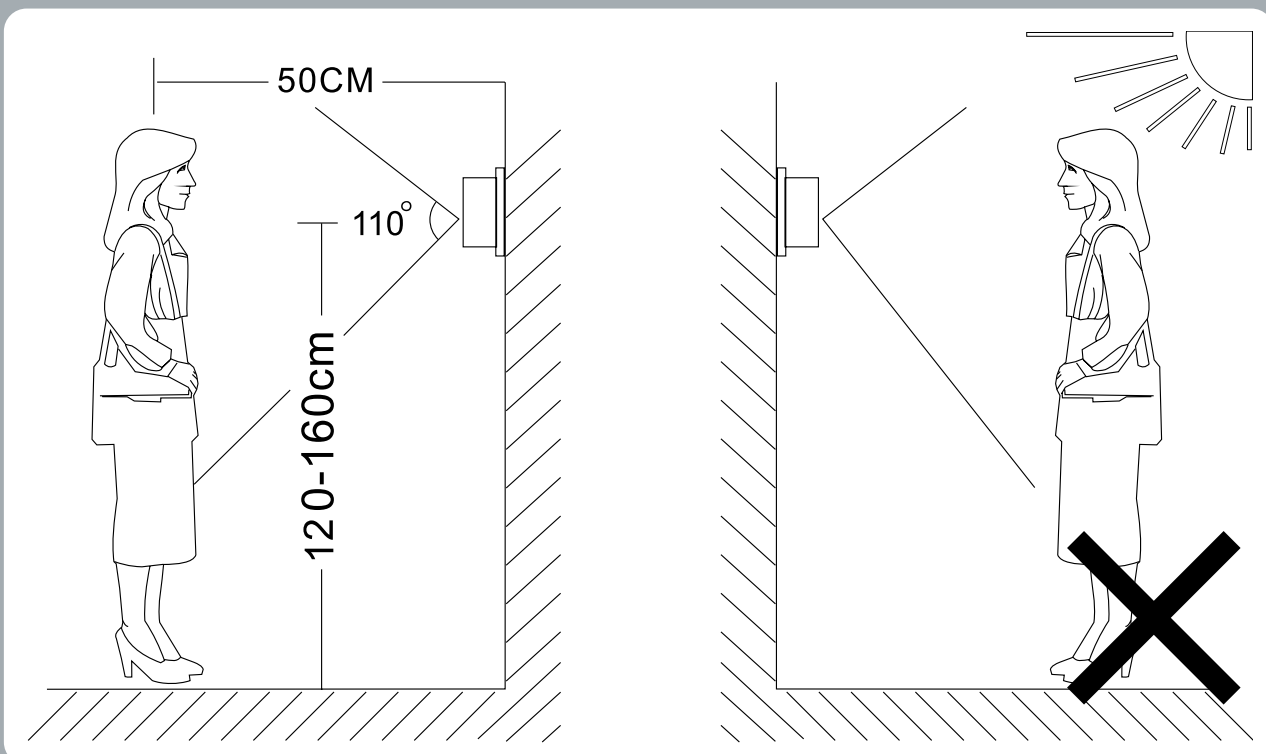


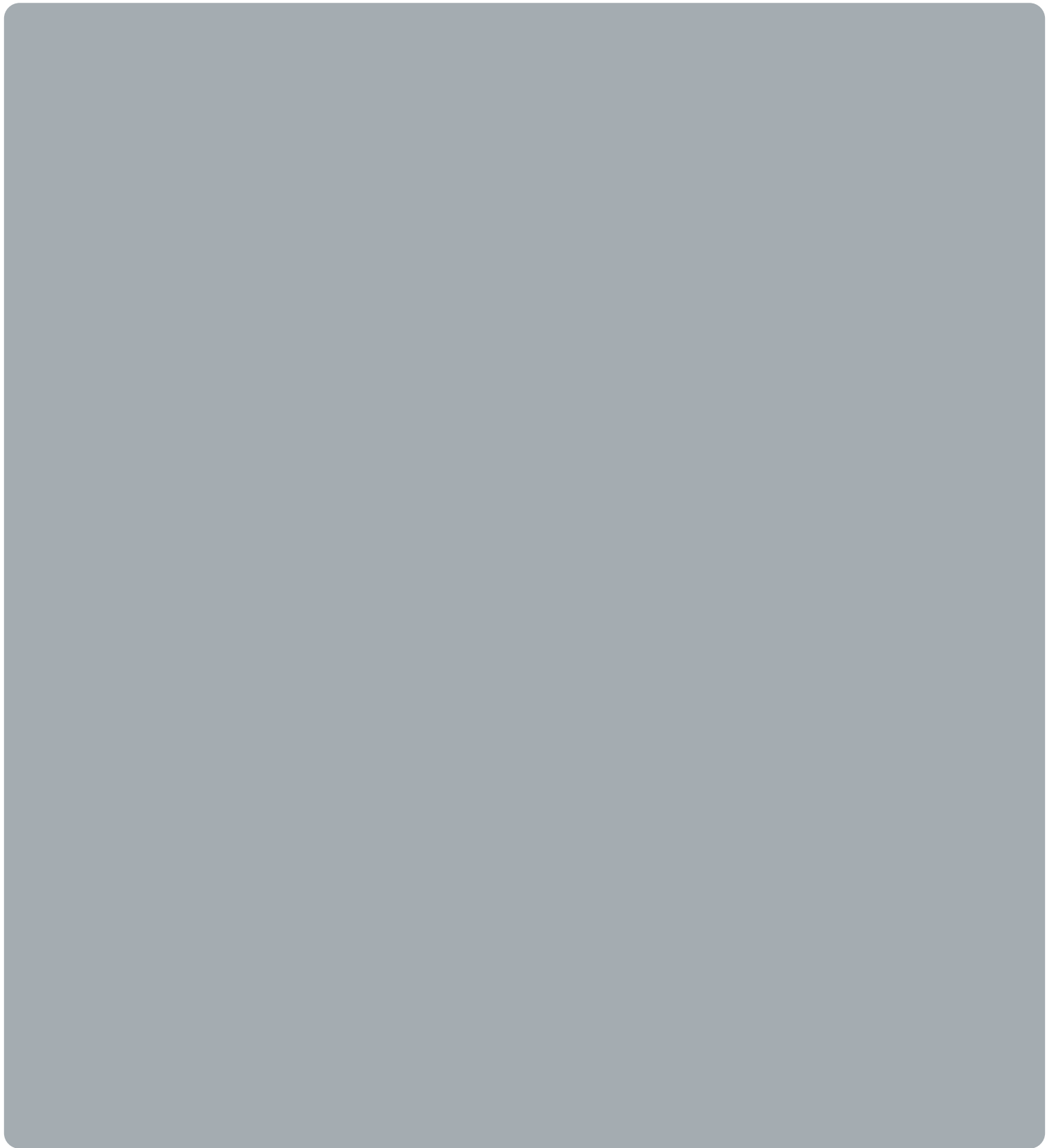
8. Mounting Diagrams Accessories



- A1IPVDS 1 Pc
- Plastic Rawl Screws 4 Pcs
- Installation Screws 6 Pcs
- Quick Start Guide 1 Pc
- 3 Pin Cable (0.1m) 1 Pc
- 7 Pin Cable (1m) 1 Pc
- 2 Pin Cable (1m) 1 Pc
- Master Add Fob 3 Pcs
- Master Delete Fob 3 Pcs
- User Fob 4 Pcs

9. Installation





Contact Details



Elite Security Products UK, Unit 7 Target Park, Shawbank Road, Lakeside, Redditch, Worcestershire, B98 8YN
Tel: +44(0) 1527 51 51 50 Fax: +44(0) 1527 15 01 43 Email: info@espuk.com
Registered in England, Company Registration Number: 02769392, VAT Registration: GB614686525



For more product information please visit www.espuk.com
E&OE - Errors and Omissions Excepted. K23