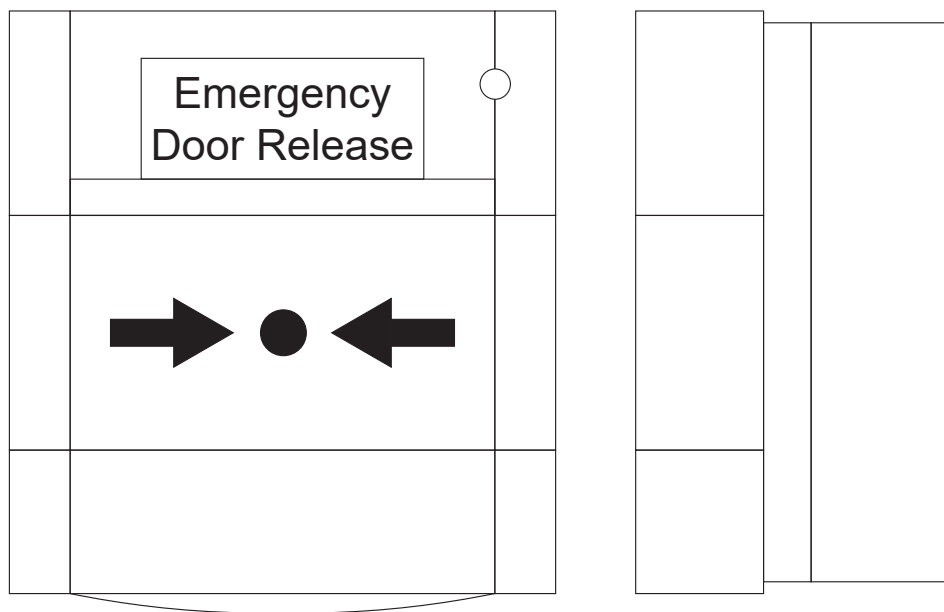


A1ECP Manual

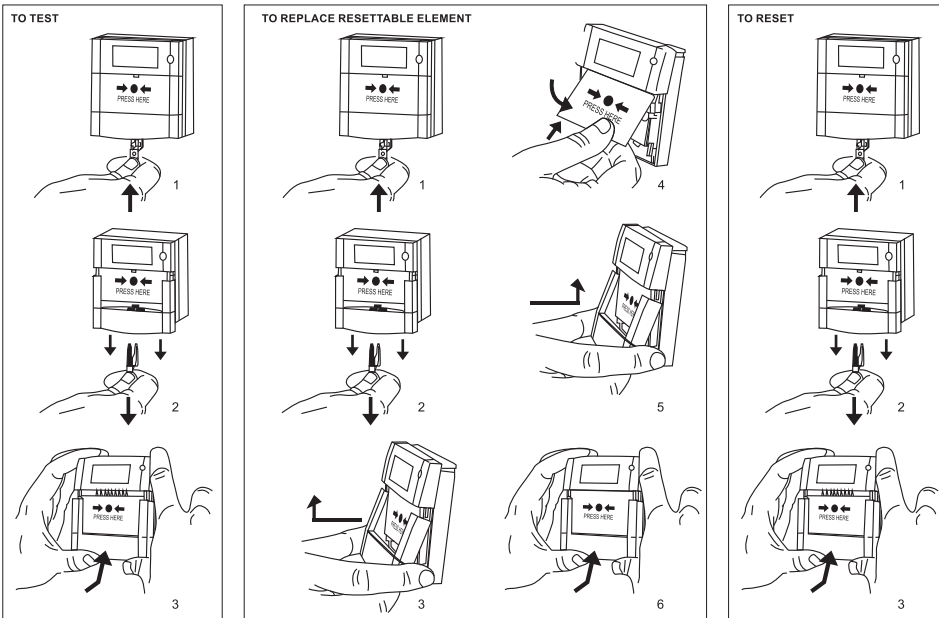
Aperta Green Internal Emergency Call Point



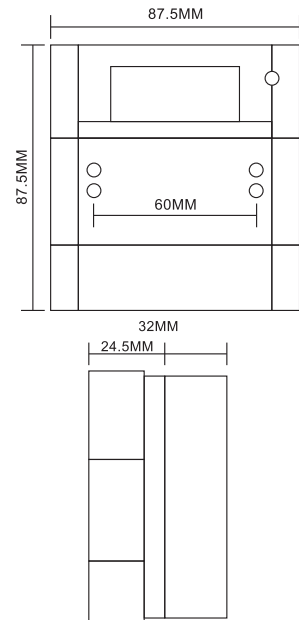
The latest product manuals and software is available online:
https://www.espuk.com/technical_support



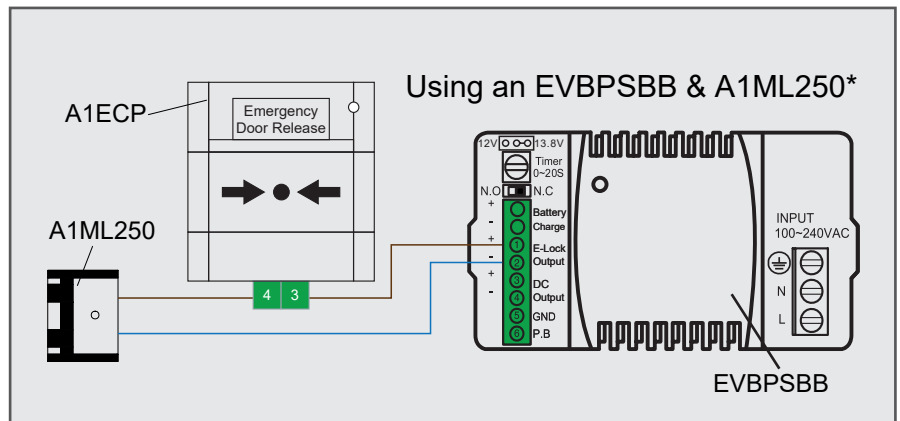
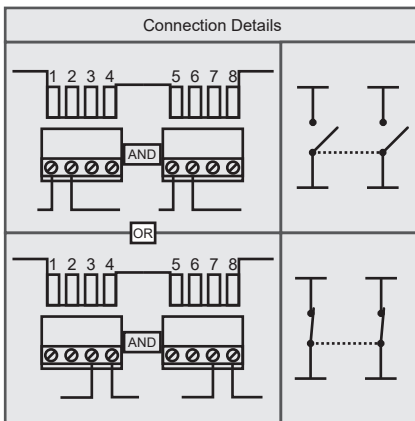
Installation



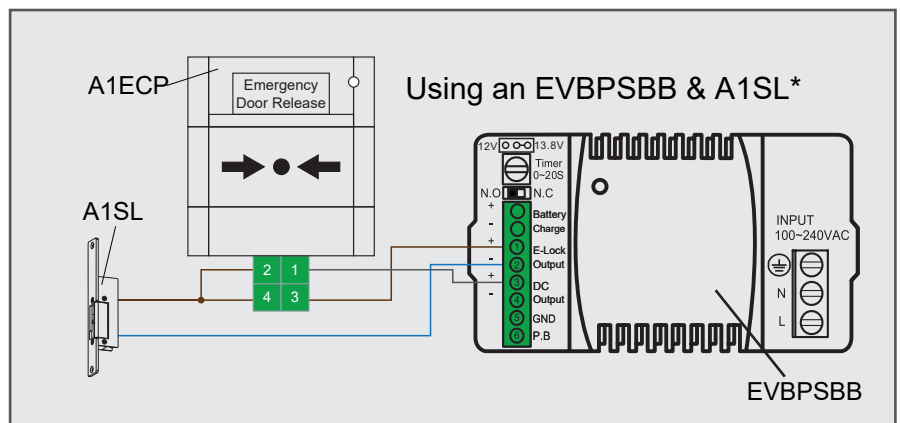
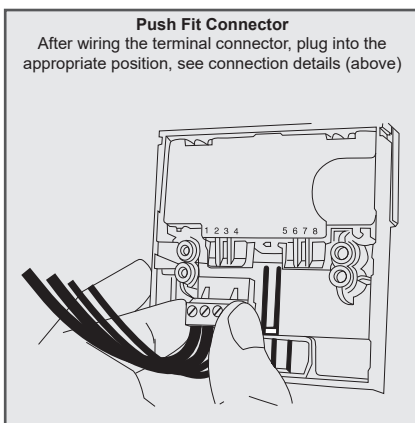
Dimensions



Connections



Notice: EVBPSBB or A1ML250 or A1SL not included



Contact

ESP

●●●●● **ScolmoreGROUP**

Elite Security Products UK, Unit 7 Target Park, Shawbank Road, Lakeside, Redditch, Worcestershire, B98 8YN
 Tel: +44(0) 1527 51 51 50 Fax: +44(0) 1527 15 01 43 Email: info@espuke.com
 Registered in England, Company Registration Number: 02769392, VAT Registration: GB614686525

For more product information please visit www.espuke.com
 E&OE - Errors and Omissions Excepted. A24

